



**higher education
& training**

Department:
Higher Education and Training
REPUBLIC OF SOUTH AFRICA

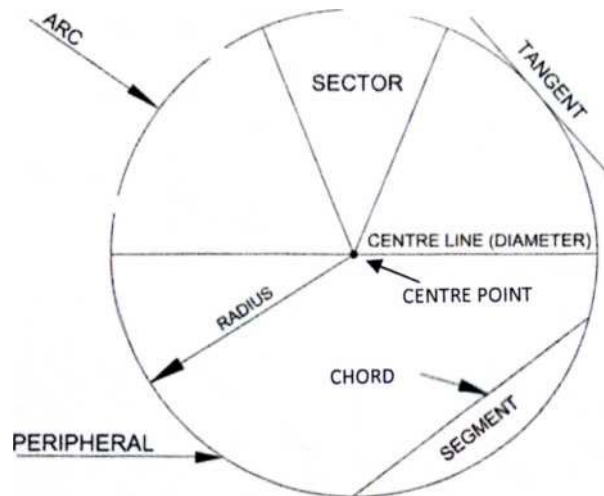
MARKING GUIDELINE

NATIONAL CERTIFICATE

BUILDING DRAWING N1

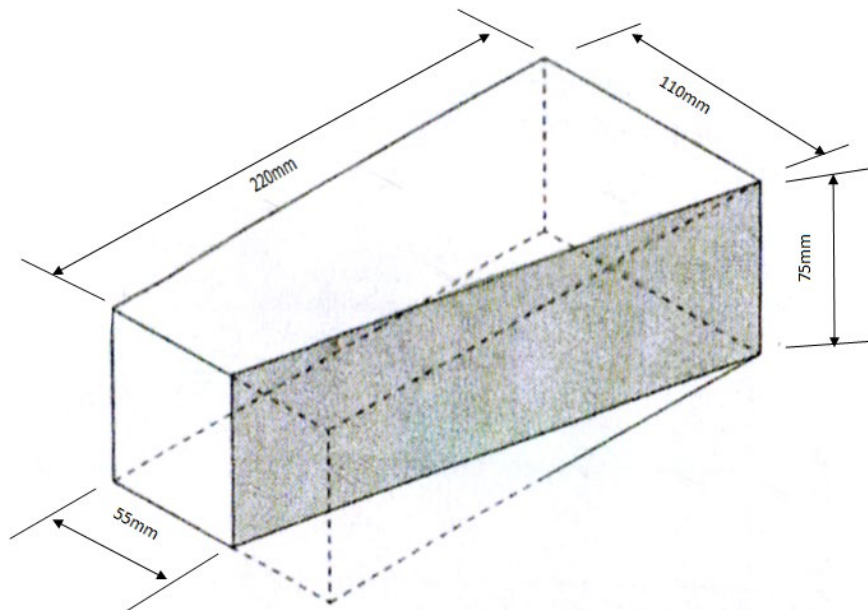
21 November 2022

This marking guideline consists of 10 pages.

QUESTION 1**[10]**

QUESTION 1: RUBRIC		
MARKING CRITERIA	POSSIBLE MARK	REMARK
Correctness	2	
Labelling	8	
TOTAL	10	

NOTE: No marks should be allocated for any part of the drawing in the incorrect position. However, marks to be allocated for hatching of that component where applicable.

QUESTION 2

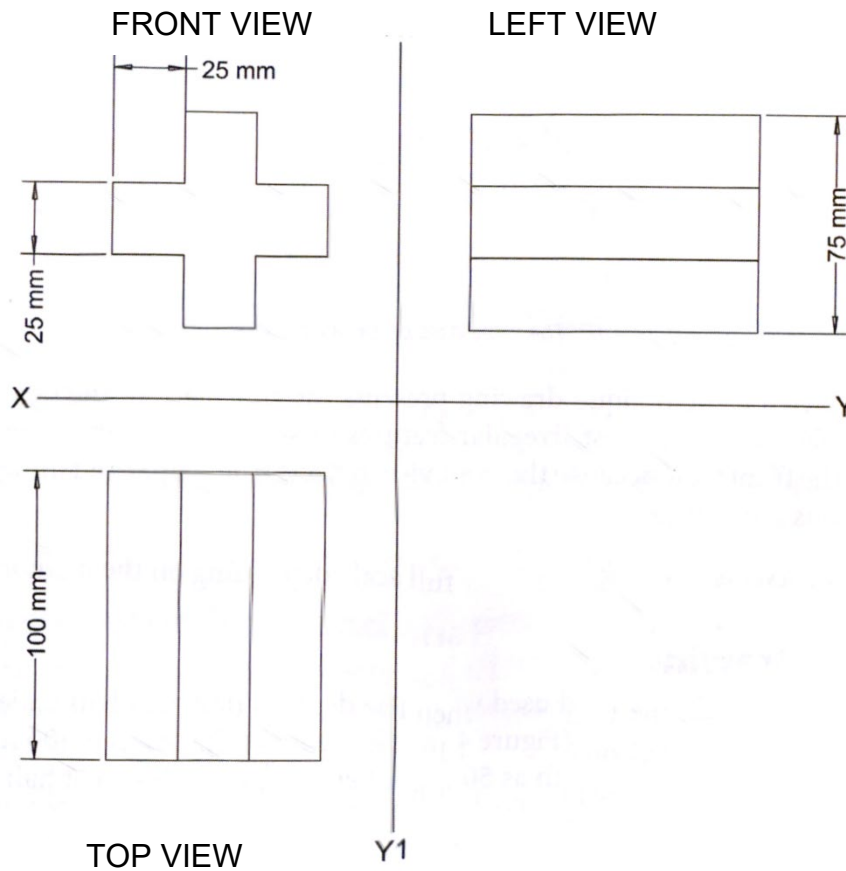
**ISOMETRIC VIEW OF A BEVELLED CLOSER
SCALE 1:2**

[14]

QUESTION 2: RUBRIC		
MARKING CRITERIA	POSSIBLE MARK	REMARKS
Axis	2	
Correctness	3	
Correct size	3	
Dimensions	4	
Layout and neatness	2	
TOTAL	14	

NOTE: No marks should be allocated for any part of the drawing in the incorrect position. However, marks to be allocated for hatching of that component where applicable.

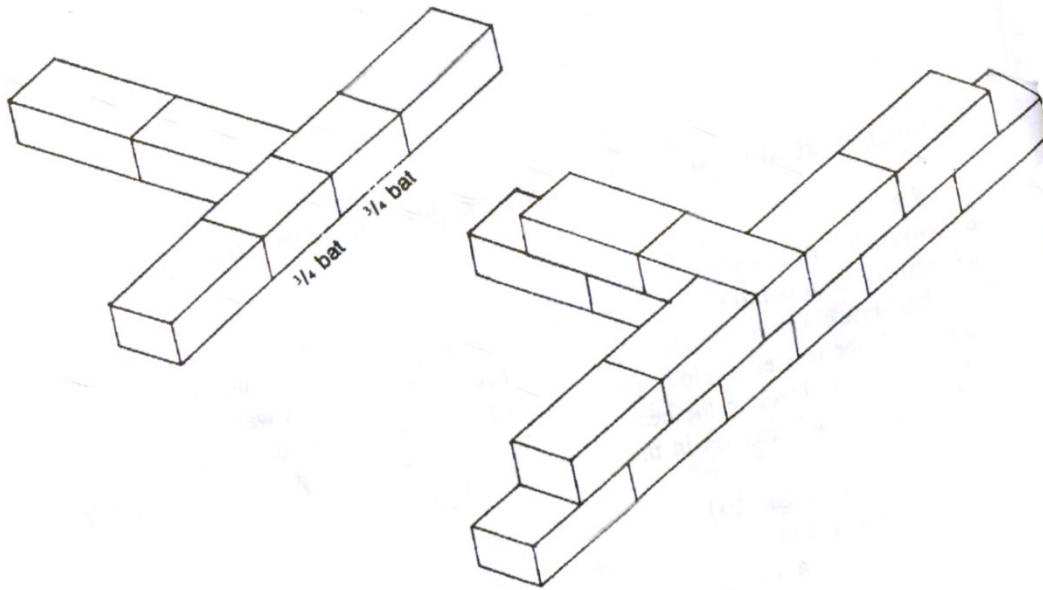
QUESTION 3



[14]

QUESTION 3: RUBRIC		
MARKING CRITERIA	POSSIBLE MARK	REMARKS
Front view	4	
Top view	4	
Left view	4	
Layout and neatness	2	
TOTAL	14	

NOTE: No marks should be allocated for any part of the drawing in the incorrect position. However, marks to be allocated for hatching of that component where applicable.

QUESTION 4

ALTERNATE PLAN COURSES OF A T-JUNCTION BETWEEN TWO HALF-BRICK WALLS
SCALE 1:10

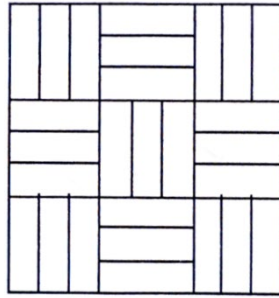
[12]

QUESTION 4: RUBRIC		
MARKING CRITERIA	POSSIBLE MARK	REMARKS
Correctness	5	
Correct pattern	2	
Correct size	2	
Label (3/4 bat)	1	
Layout and neatness	2	
TOTAL	12	

NOTE: No marks should be allocated for any part of the drawing in the incorrect position. However, marks to be allocated for hatching of that component where applicable.

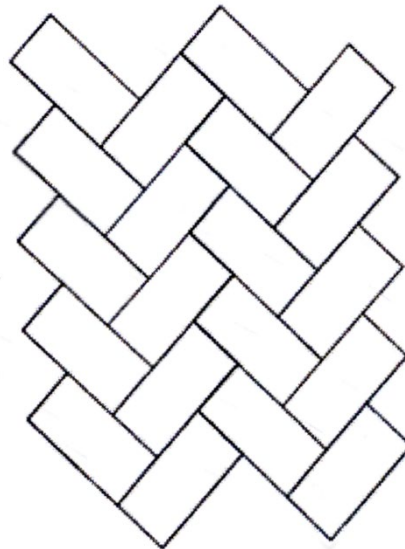
QUESTION 5

5.1



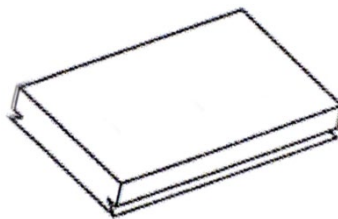
BASKET PATTERN

5.2



HERRING BONE PATTEN

5.3



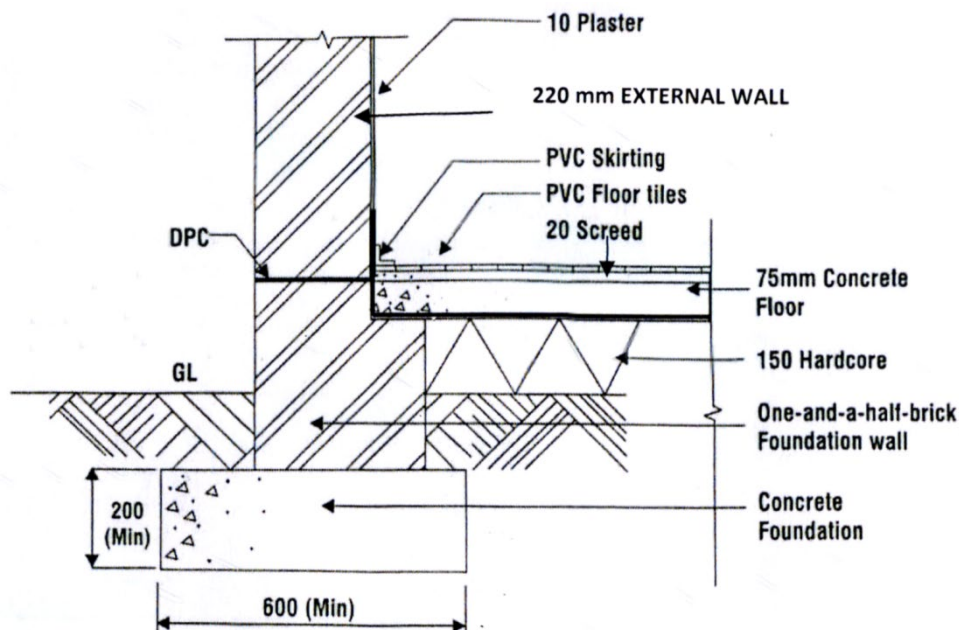
HARDWOOD FLOOR BLOCK

(3 × 4) [12]

QUESTION 5: RUBRIC			
	MARKING CRITERIA	POSSIBLE MARK	REMARKS
Basket pattern	Correct pattern	3	
	Neatness	1	
Herring bone	Correct pattern	3	
	Neatness	1	
Hardwood floor block	Correct pattern	3	
	Neatness	1	
TOTAL		12	

NOTE: No marks should be allocated for any part of the drawing in the incorrect position. However, marks to be allocated for hatching of that component where applicable.

QUESTION 6



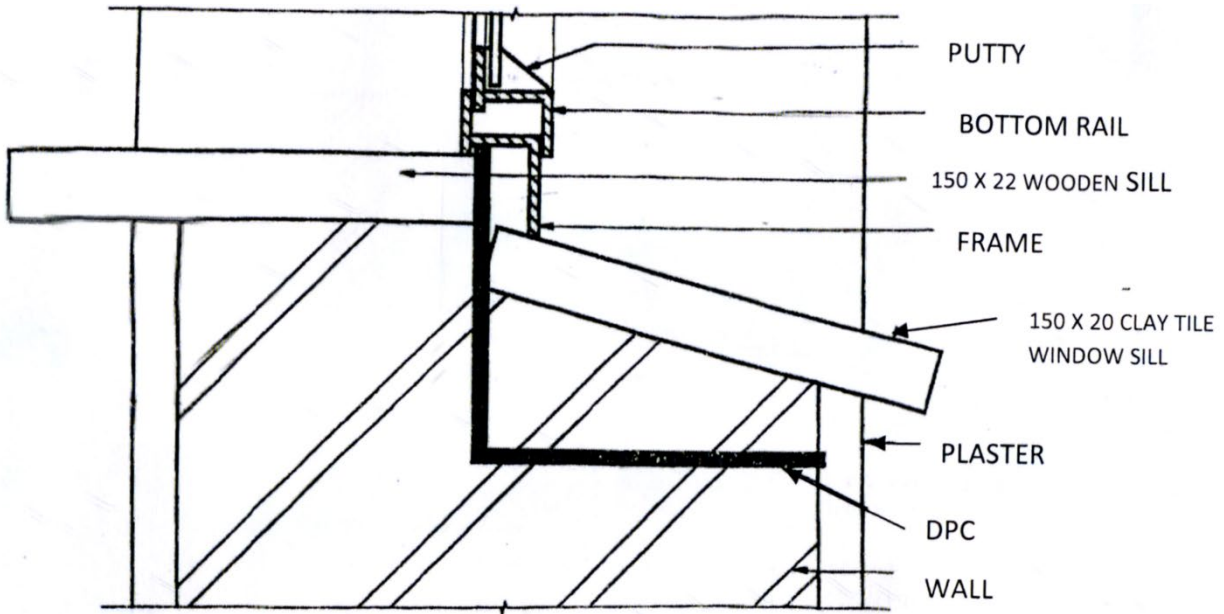
VERTICAL CROSS SECTION THROUGH A STRIP FOUNDATION OF A ONE-AND-A-HALF-BRICK FOUNDATION WALL OF A DWELLING
SCALE 1:10

[20]

QUESTION 6: RUBRIC			
PART OF THE DRAWING	MARKING CRITERIA	POSSIBLE MARKS	REMARKS
Wall, foundation wall, plaster	Correct position	3	
	Correct size	3	
	Hatching	3	
	Labelling	3	
Strip foundation, hard core, concrete floor	Correct position	3	
	Correct size	3	
	Hatching	3	
	Labelling	3	
Screed, PVC tiles and skirting	Correct position	3	
	Correct size	3	
	Hatching	3	
	Labelling	3	
Ground level	Correct position	1	
	Hatching	1	
	Labelling	1	
DPC	Correct position	1	
	Labelling	1	
	Subtotal	41	
	Divide by	3,2	
	Overall correctness	13	
	Line work	3	
	Accuracy	2	
	Balanced layout and neatness	2	
	TOTAL	20	

NOTE: No marks should be allocated for any part of the drawing in the incorrect position. However, marks to be allocated for hatching of that component where applicable.

QUESTION 7



**SECTION THROUGH A SILL OF A STEEL-CASEMENT WINDOW
SCALE 1:2**

[18]

QUESTION 7: RUBRIC			
PART OF THE DRAWING	MARKING CRITERIA	POSSIBLE MARKS	REMARKS
Wall, plaster and DPC	Correct position	3	
	Correct size	3	
	Hatching	3	
	Labelling	3	
Frame, putty, bottom rail, internal wooden sill and clay window sill	Correct position	5	
	Correct size	5	
	Hatching	2	
	Labelling	5	
	Subtotal	29	
	Divide by	2,4	
	Overall correctness	12	
	Line work	2	
	Accuracy	2	
	Balanced layout and neatness	2	
	TOTAL	18	

NOTE: No marks should be allocated for any part of the drawing in the incorrect position. However, marks to be allocated for hatching of that component where applicable.

TOTAL: 100