



**higher education
& training**

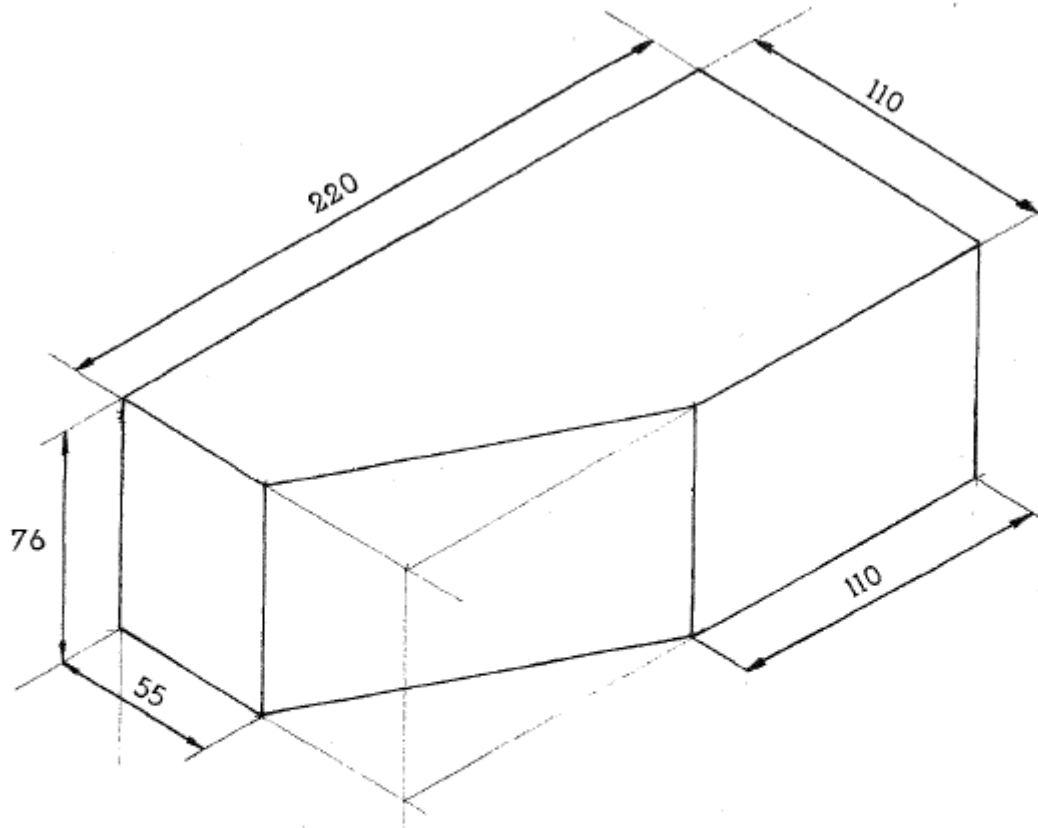
Department:
Higher Education and Training
REPUBLIC OF SOUTH AFRICA

MARKING GUIDELINE

**NATIONAL CERTIFICATE
NOVEMBER EXAMINATION
BUILDING DRAWING N1**

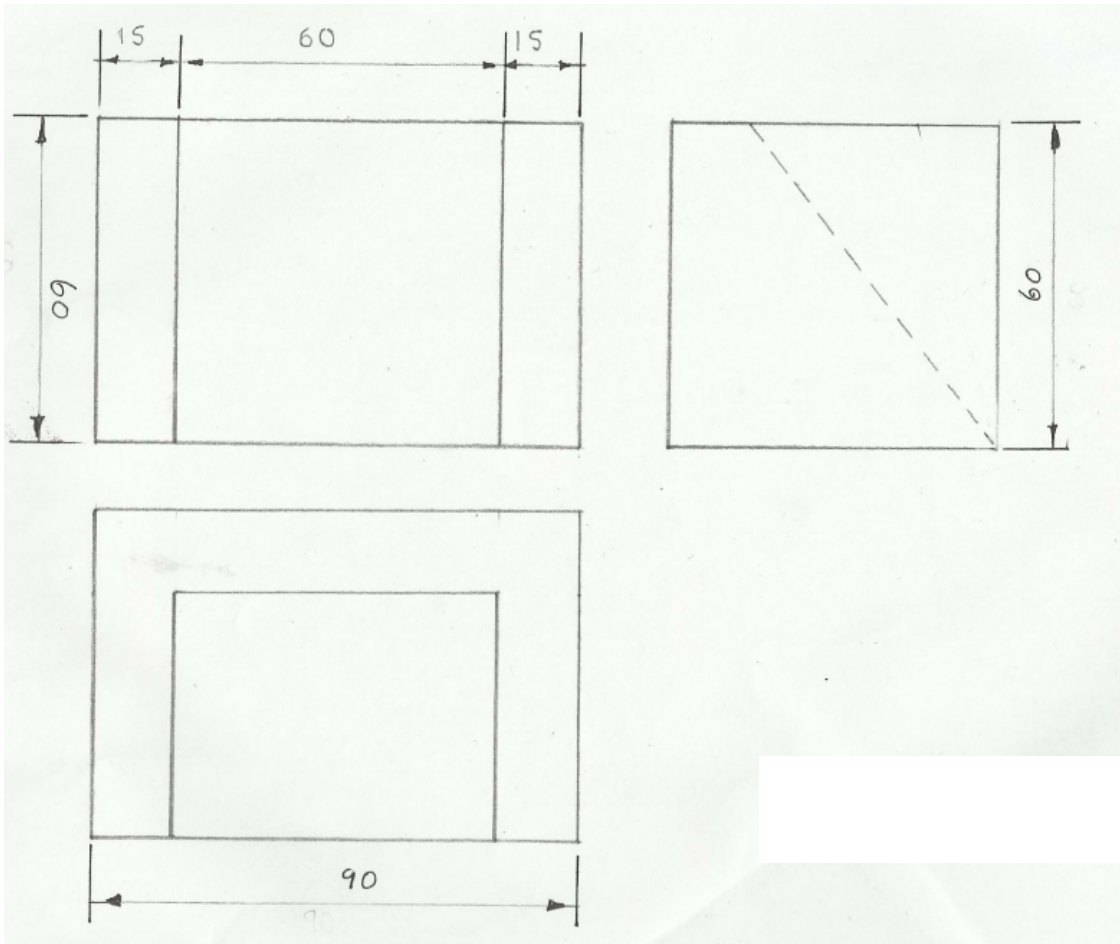
14 NOVEMBER 2016

This marking guideline consists of 8 pages.

QUESTION 1**THE ISOMETRIC VIEW OF A KING CLOSER BRICK**

MARKING CRITERIA	POSSIBLE MARK
CORRECTNESS	3
DIMENSIONS	3
NEATNESS OF LAYOUT	2
SCALE	2
TOTAL	10

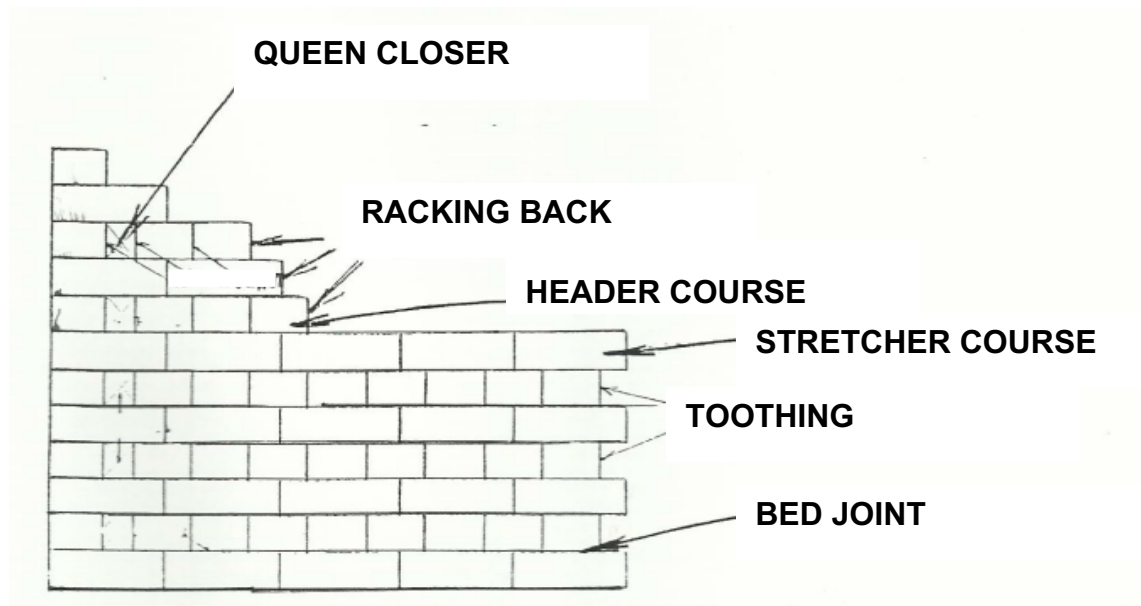
[10]

QUESTION 2

**WOODEN BLOCK
SCALE 1 : 1**

MARKING CRITERIA	POSSIBLE MARK
FRONT VIEW	5
LEFT VIEW	5
TOP VIEW	5
NEATNESS OF LAYOUT	3
SCALE	2
TOTAL	20

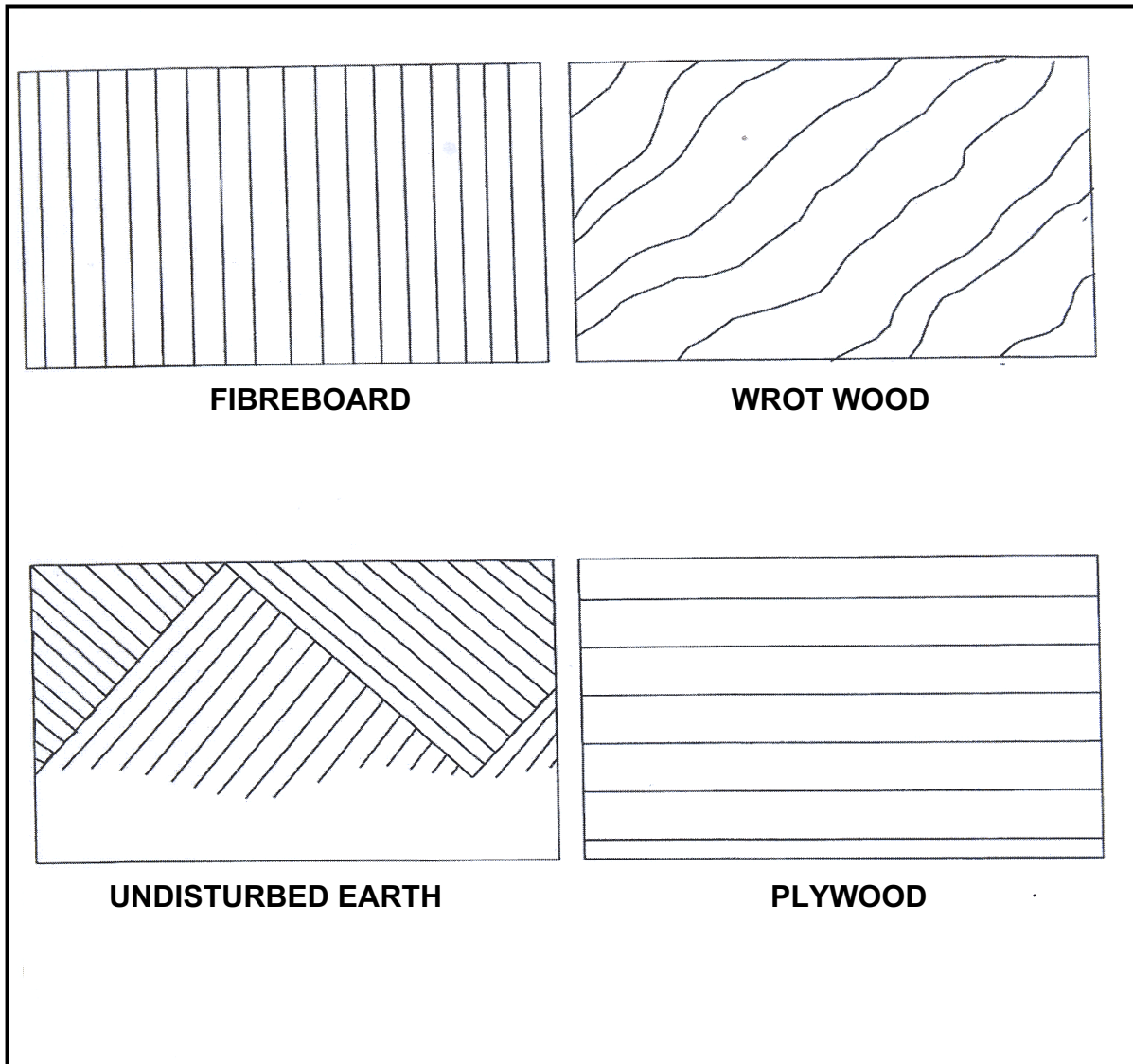
[20]

QUESTION 3**SCALE 1 : 10**

MARKING CRITERIA	POSSIBLE MARK
BRICK PATTERN	3
ACCURACY	2
CORRECTNESS	1
NEATNESS OF LAYOUT	2
LABELS	1
SCALE	1
TOTAL	10

[10]

QUESTION 4



FIBREBOARD

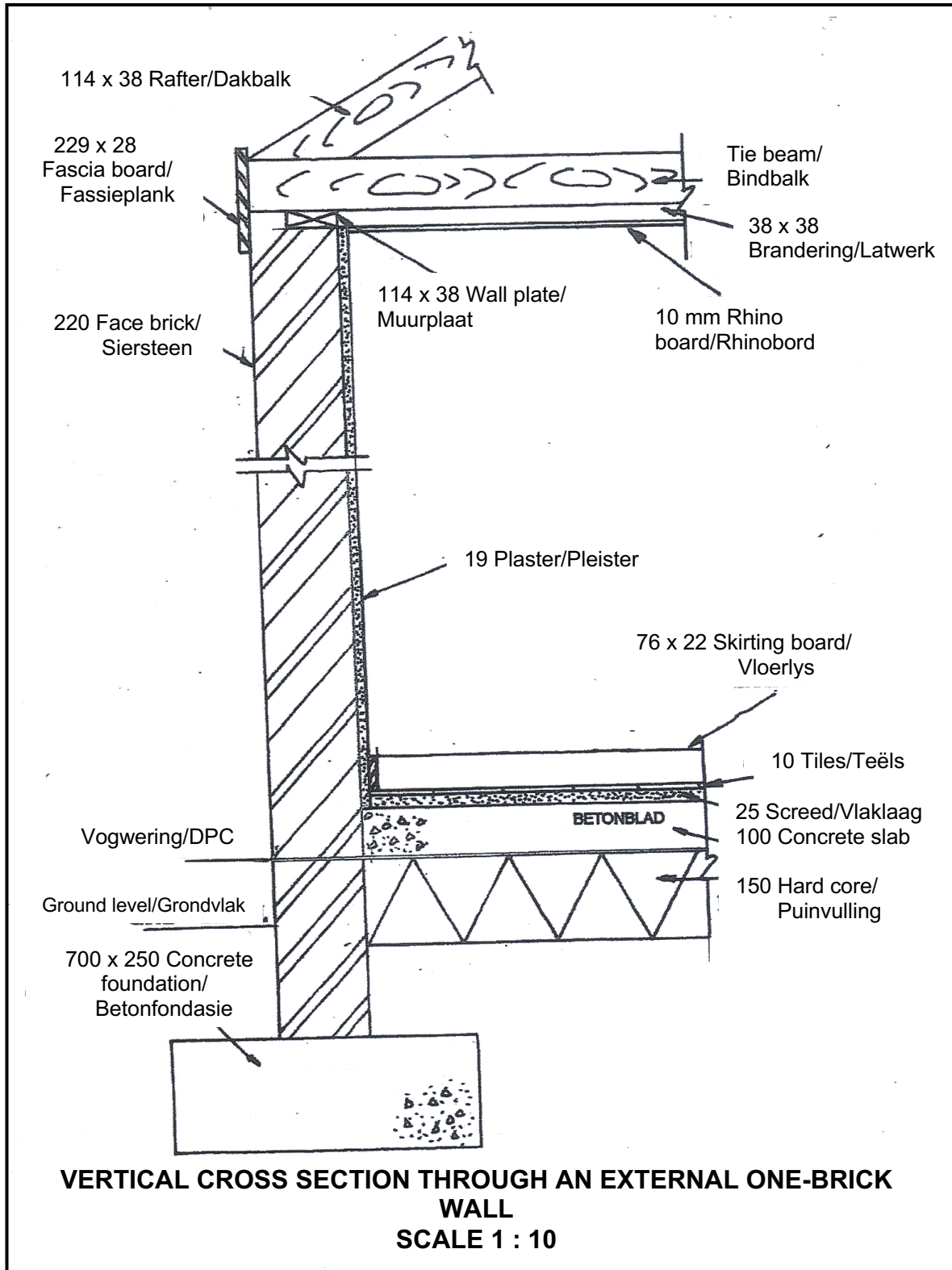
WROT WOOD

UNDISTURBED EARTH

PLYWOOD

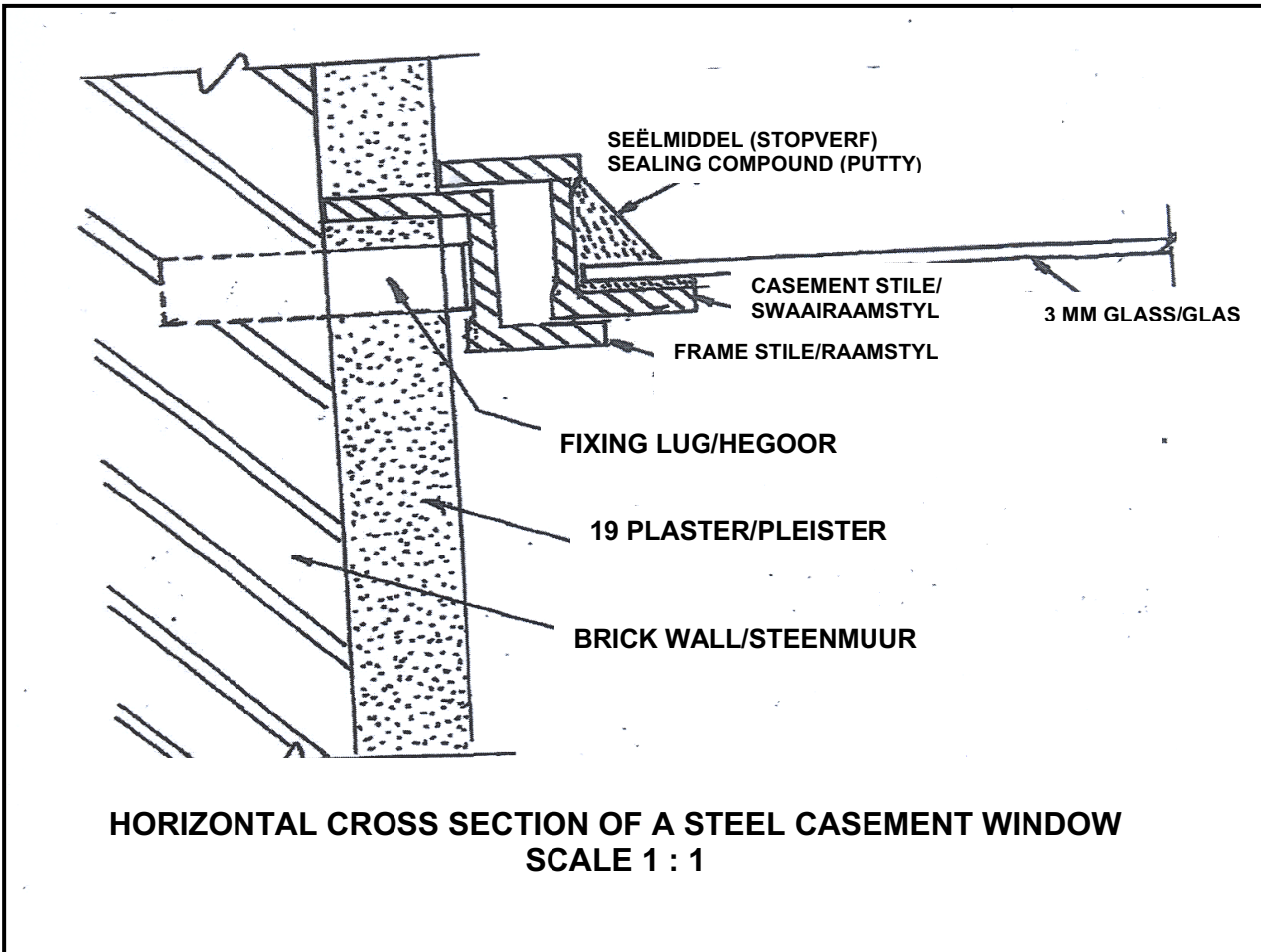
(4 × 4) [16]

QUESTION 5



MARKING CRITERIA	POSSIBLE MARK
700 mm × 250 mm strip foundation	2
100 mm solid concrete floor	2
150 mm hard core	2
DPC	2
25 mm screed	2
10 mm thick floor tiles	2
76 mm × 22 mm skirting	2
19 mm plaster	2
114 mm × 38 mm tie beam	1
114 mm × 38 mm rafter	1
38 mm × 28 mm brandering	1
229 mm × 28 mm flush fascia board (no overhang)	1
10 mm Rhino board	1
114 mm × 38 mm wall plate	1
ACCURACY	2
CORRECTNESS	2
NEATNESS OF LAYOUT	2
SCALE	2
TOTAL	30

[30]

QUESTION 6

MARKING CRITERIA	POSSIBLE MARK
<ul style="list-style-type: none"> • A portion of the adjacent brick opening • Steel fixing lug 	1
Internal plaster	1
Steel casement	1
Style	1
3 mm glass	1
Sealing compound (putty)	1
ACCURACY	2
CORRECTNESS	2
NEATNESS OF LAYOUT	2
SCALE	2
TOTAL	14

[14]**TOTAL: 100**