



**DEPARTMENT OF HIGHER EDUCATION AND TRAINING**  
**REPUBLIC OF SOUTH AFRICA**  
NATIONAL CERTIFICATE  
BUILDING DRAWING N1  
TIME: 4 HOURS  
MARKS: 100

---

**INSTRUCTIONS AND INFORMATION**

1. Answer ALL the questions.
  2. Read ALL the questions carefully.
  3. Number the answers according to the numbering system used in this question paper.
  4. Marks will allocated for neat work that is well-set out and organised.
  5. Marks will also be allocated for line quality and labelling of drawings.
  6. Write neatly and legibly.
-

**QUESTION 1**

Draw the orthographic views of the attached sheet FIGURE 1.

SCALE 1 : 1

[16]

**QUESTION 2**

Draw the front elevation of a one brick wall in English bond six courses high. The bottom course must be SEVEN bricks long.

Show a stopped end on the left and a raking back on the right side.

SCALE 1 : 10

[8]

**QUESTION 3**

Draw an elliptical gauged arch with the span of 1 200 mm and the rise of 400 mm.

SCALE 1 : 10

NOTE: Show the key brick.

Do NOT show any adjacent brickwork.

[18]

**QUESTION 4**

Draw FOUR rectangles 750 mm × 500 mm evenly spaced showing the following hatching symbols in the rectangles:

Stock bricks (4)

Face bricks (4)

Stonework (4)

Block work (4)

NOTE: Arrange the rectangles neatly and allow a space of 25 mm between the rectangles.

SCALE 1 : 10

[16]

**QUESTION 5**

Draw an isometric view of a THREE quarter bat.

NOTE: Your preferred view may be illustrated.

Do NOT show any hidden detail.

SCALE 1 : 2

[12]

**QUESTION 6**

Draw a vertical cross section through an external one brick wall of a dwelling that has the following details.

Substructure

700 × 250 mm Strip foundation

100 mm solid concrete floor

150 mm hard core

DPC

25 mm screed

10 mm floor tiles

76 mm × 22 mm skirting

19 mm plaster

ONE brick wall built with face bricks.

Superstructure

114 mm × 38 mm tie beam

114 mm × 38 mm rafter

38 mm × 38 mm brading

229 mm × 28 mm flush fascia board (No overhang)

114 mm × 38 mm wall plate

10 mm Rhino board

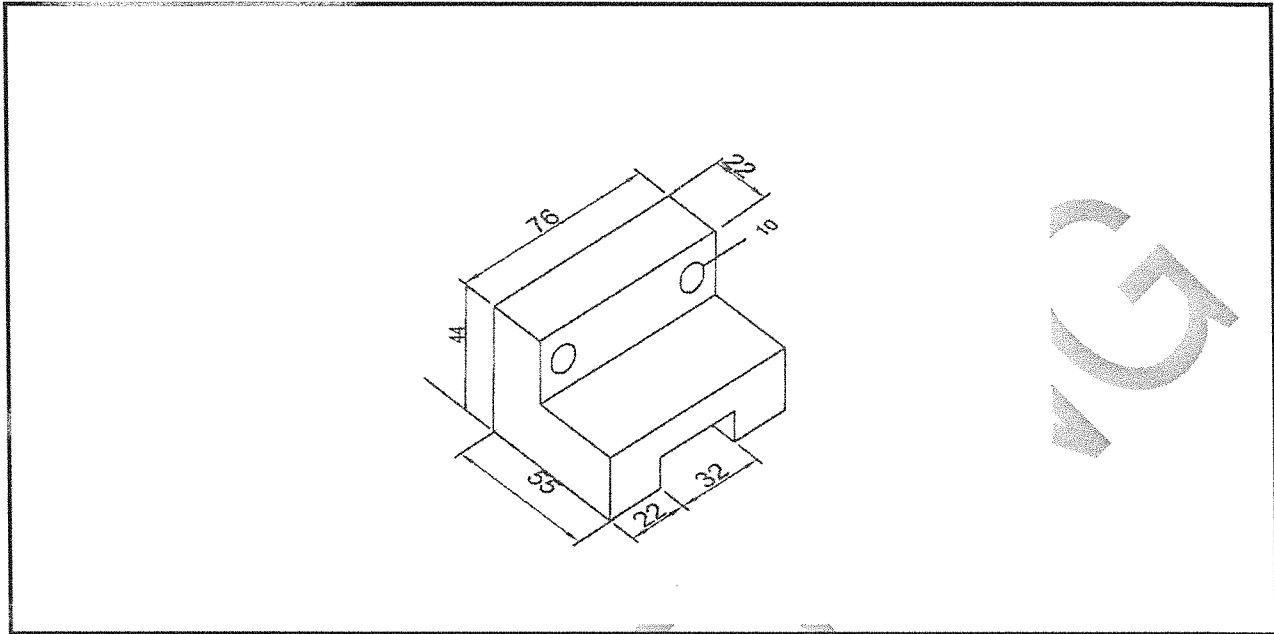
SCALE 1 : 10

NOTE: Do NOT indicate any roof covering.

[30]

**TOTAL: 100**

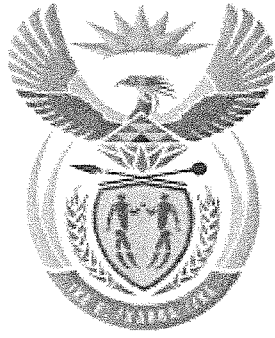
**DIAGRAM SHEET**



**MACHINE PART**

**SCALE 1 : 1**

ENGINEER



# higher education & training

Department:  
Higher Education and Training  
**REPUBLIC OF SOUTH AFRICA**

## **MARKING GUIDELINE**

**NATIONAL CERTIFICATE**

**NOVEMBER EXAMINATION**

**BUILDING DRAWING N1**

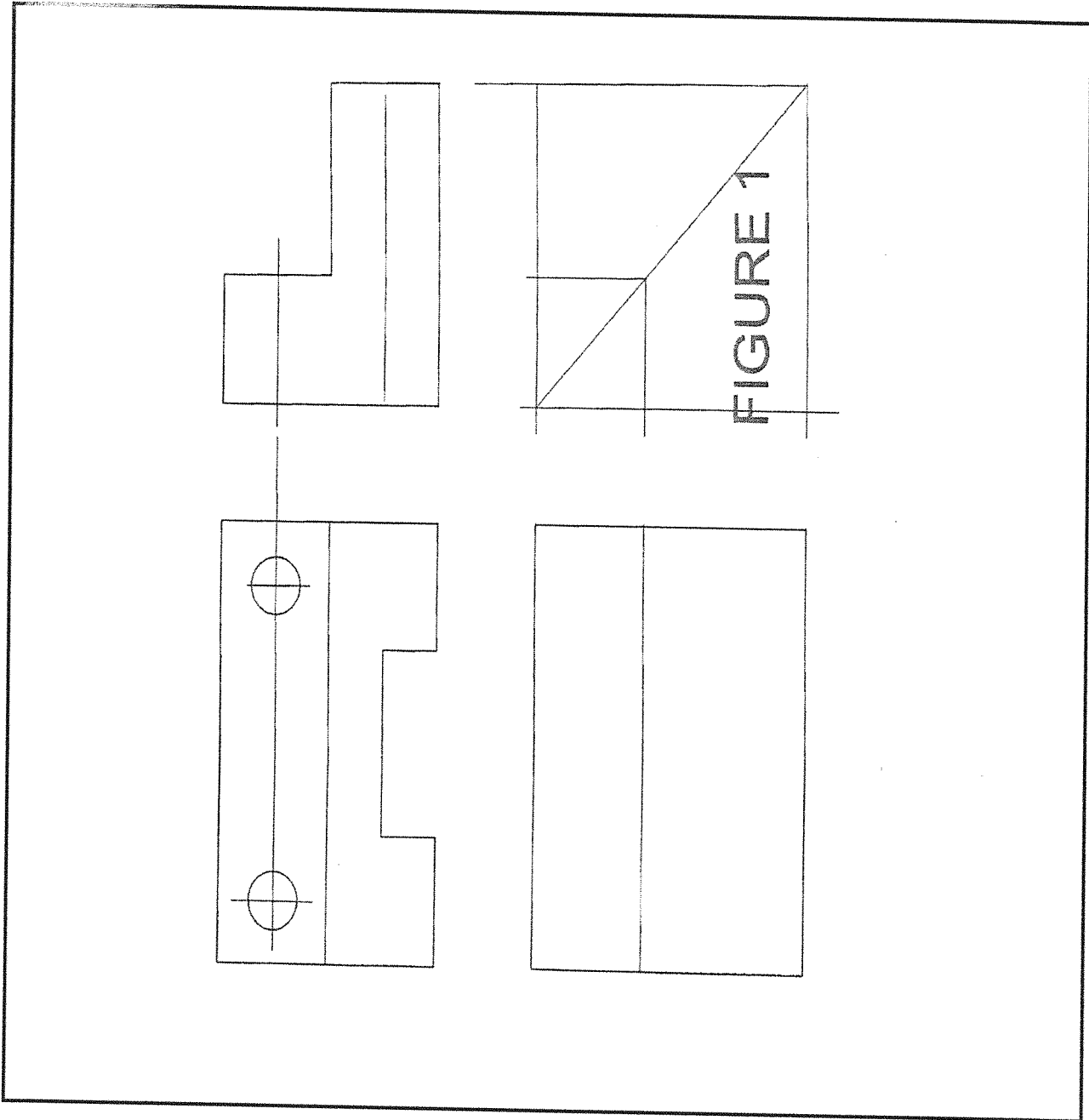
**21 NOVEMBER 2014**

**This marking guideline consists of 10 pages.**

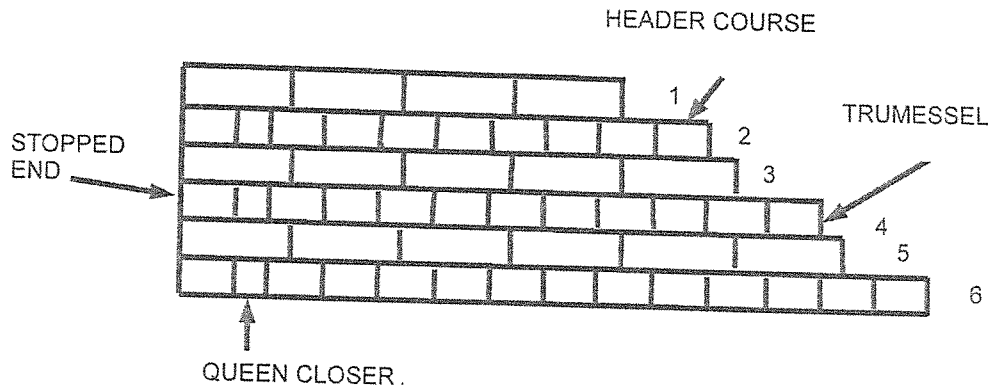
**QUESTION 1**

<b>MACHINE PART</b>			
<b>MARKING CRITERIA</b>	<b>POSSIBLE MARK</b>	<b>MARKER MARK</b>	<b>MOD MARK</b>
CORRECT POSITION	6		
SIZE CORRECT	6		
LINWORK/NEATNESS	3		
TITLE SCALE	1		
TOTAL:	16		

**QUESTION 1**



QUESTION 2

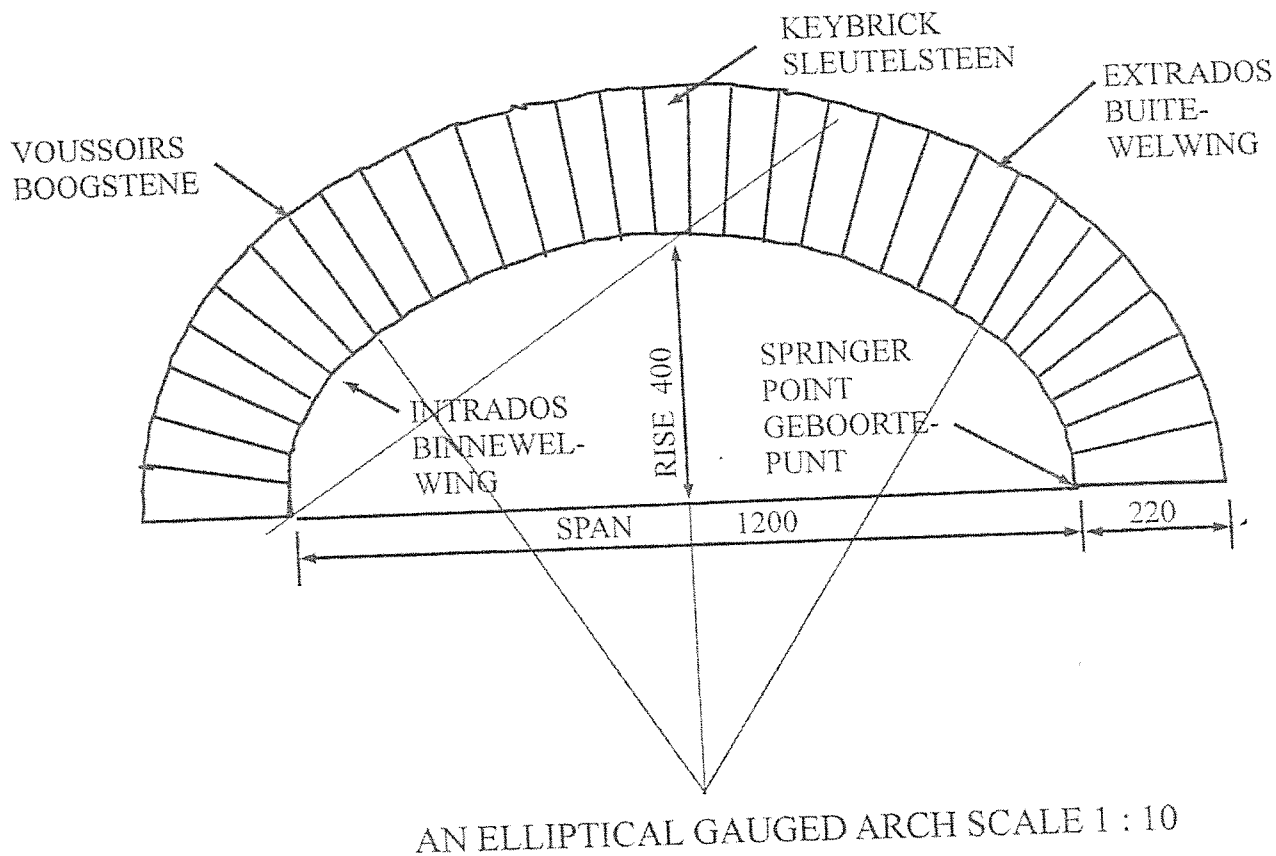


THE FRONT ELEVATION OF A WALL BUILT IN ENGLISH BOND  
INCLUDES A STOPPED END AND RAKING BACK

SCALE 1 : 10

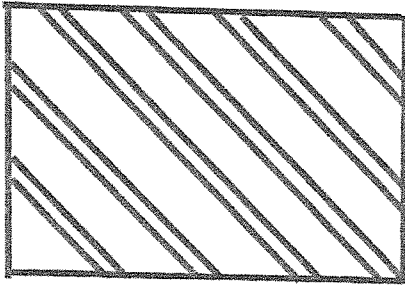
[8]

QUESTION 3

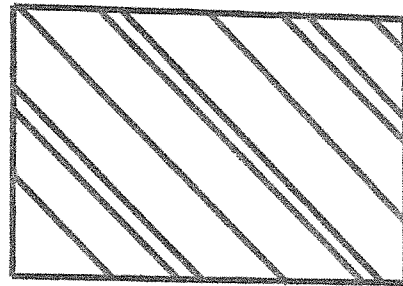


[18]

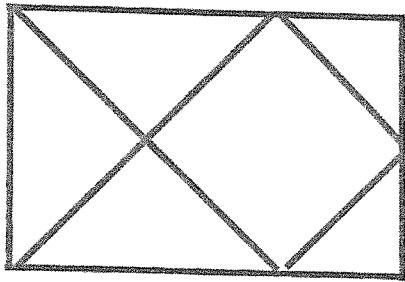
QUESTION 4



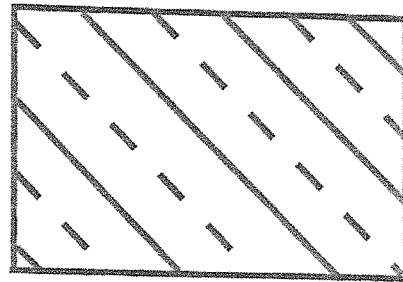
STOCK BRICK



FACE BRICK



BLOCK WORK



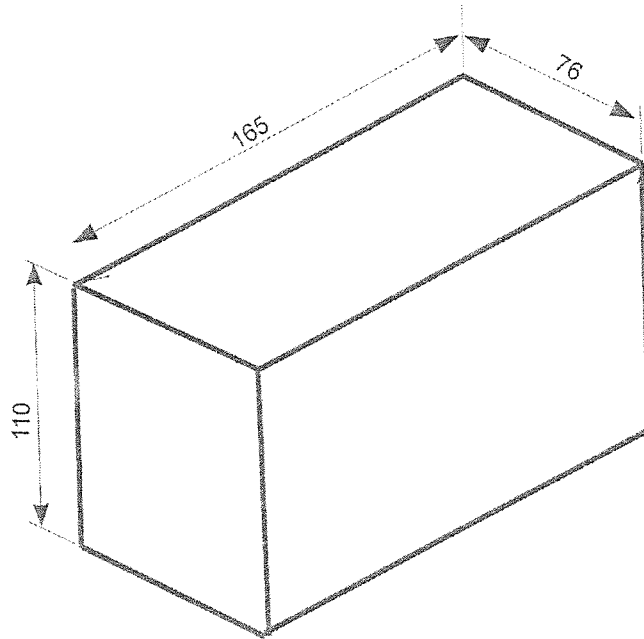
STONE WORK

THE ILLUSTRATION OF FOUR CROSS HATCHINGS

SCALE 1 : 10

[16]

**QUESTION 5**

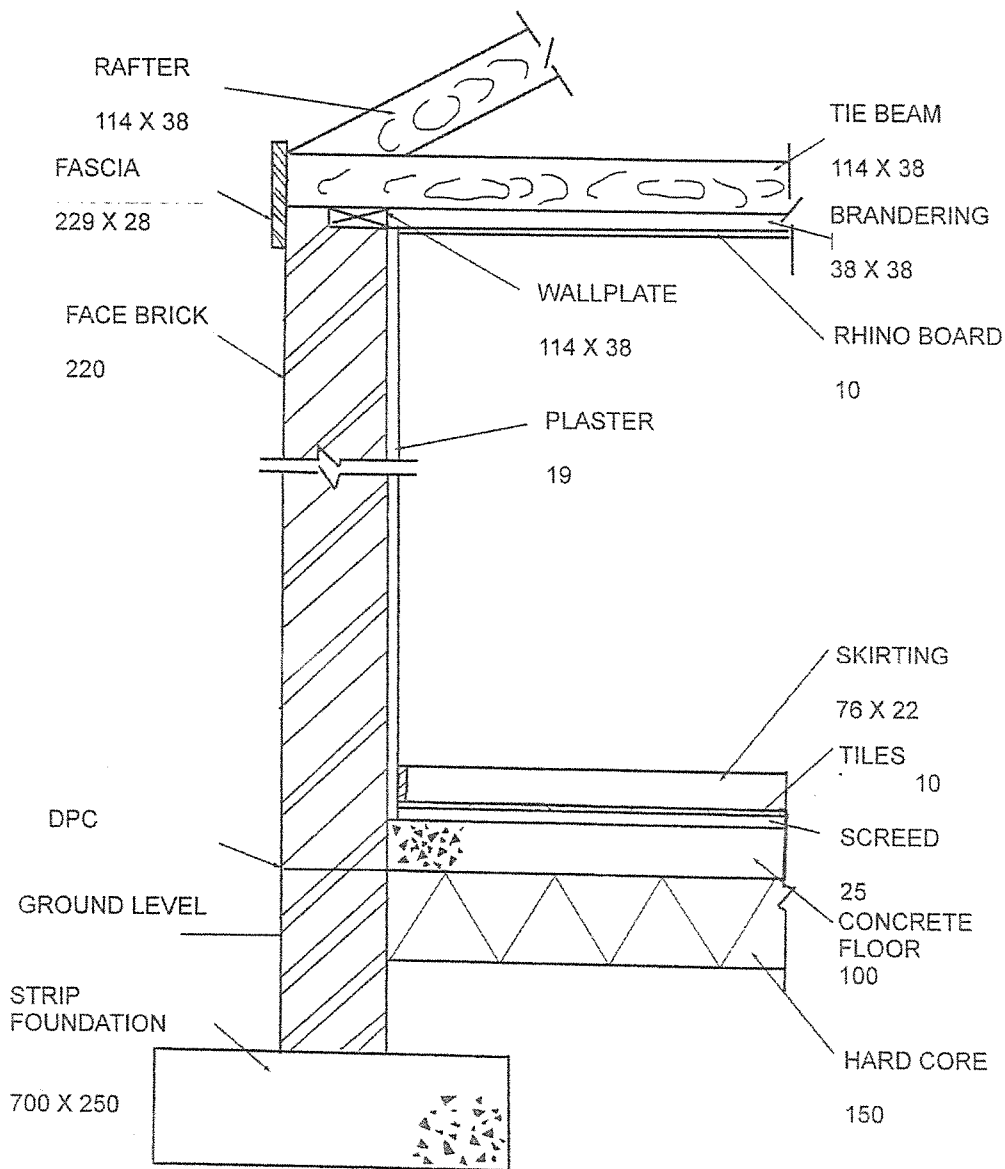


ISOMETRIC VIEW -3/4 BAT

SCALE 1 : 1

[12]

**QUESTION 6**



A VERTICAL CROSS SECTION THROUGH AN EXTERNAL ONE BRICK WALL

SCALE 1 : 10

PLEASE NOTE THAT IF THE CORRECTNESS IS '0' THEN NO OTHER MARKS MAY BE ADDED

QUESTION	1	143	16
Correctness	9		
Accuracy	3		
Neatness	1		
Titles, labels	1		
Dimensions and scale	1		
Setting	1		

QUESTION	2	143	8
Correctness	5		
Accuracy	1		
Neatness	0,5		
Titles, labels	0,5		
Dimensions and scale	0,5		
Setting	0,5		

QUESTION	3	143	18
Correctness	12		
Accuracy	3		
Neatness	1		
Titles, labels	1		
Dimensions and scale	1		
Setting	1		

QUESTION	4	143	16
Correctness	12		
Accuracy	2		
Neatness	0,5		
Titles, labels	0,5		
Dimensions and scale	0,5		
Setting	0,5		

QUESTION	5	143	12
Correctness	9		
Accuracy	1		
Neatness	0,5		
Titles, labels	0,5		
Dimensions and scale	0,5		
Setting	0,5		

QUESTION	6	143	30
Correctness	16		
Accuracy	6		
Neatness	2		
Titles, labels	2		
Dimensions and scale	2		
Setting	2		