



**higher education
& training**

Department:
Higher Education and Training
REPUBLIC OF SOUTH AFRICA

MARKING GUIDELINE

NATIONAL CERTIFICATE

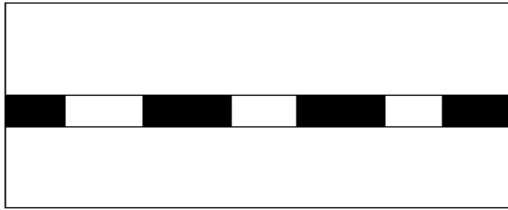
BUILDING DRAWING N1

30 July 2021

This marking guideline consists of 12 pages.

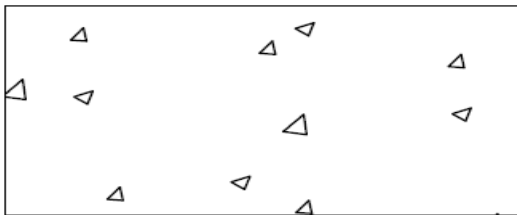
QUESTION 1

1.1



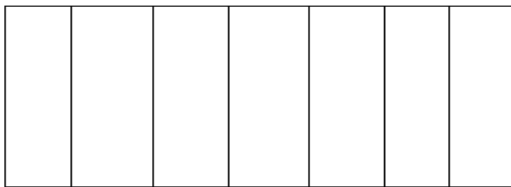
SHEET MEMBRANE

1.2



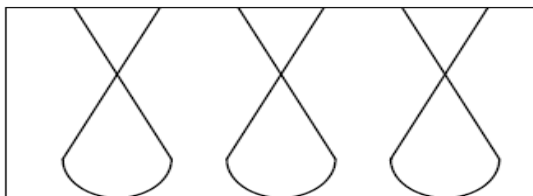
CONCRETE

1.3



FIBRE BOARD

1.4



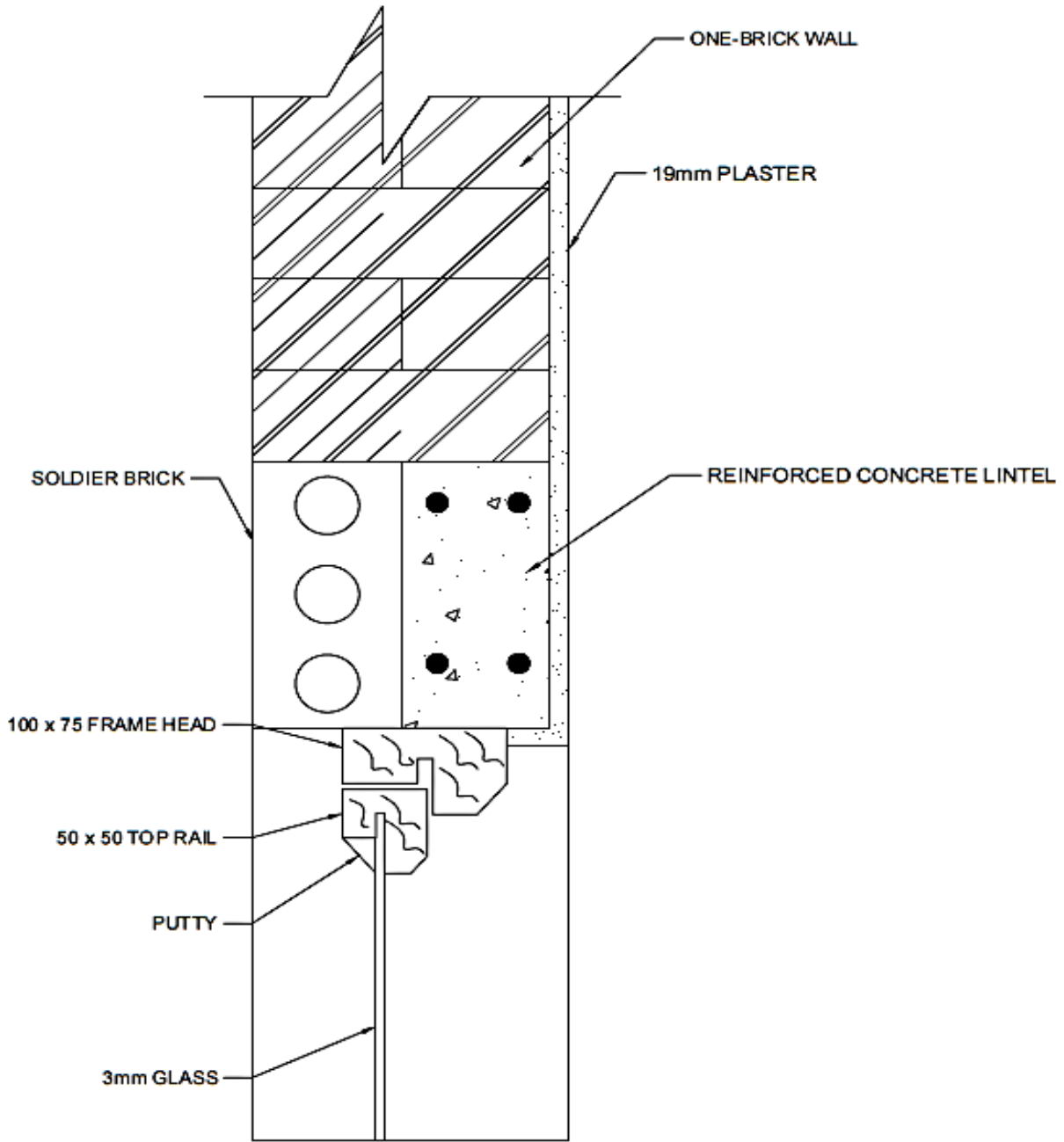
INSULATION

(4 × 4) [16]

RUBRIC: QUESTION 1				
MARKING CRITERIA	POSSIBLE MARK	MARKER	INTERNAL MODERATOR	EXTERNAL MODERATOR
Sheet membrane	4			
Concrete	4			
Fibre board	4			
Insulation	4			
TOTAL	16			

NOTE: Do not allocate any marks for any part drawn in an incorrect position, except marks for hatching of that component where applicable.

QUESTION 2



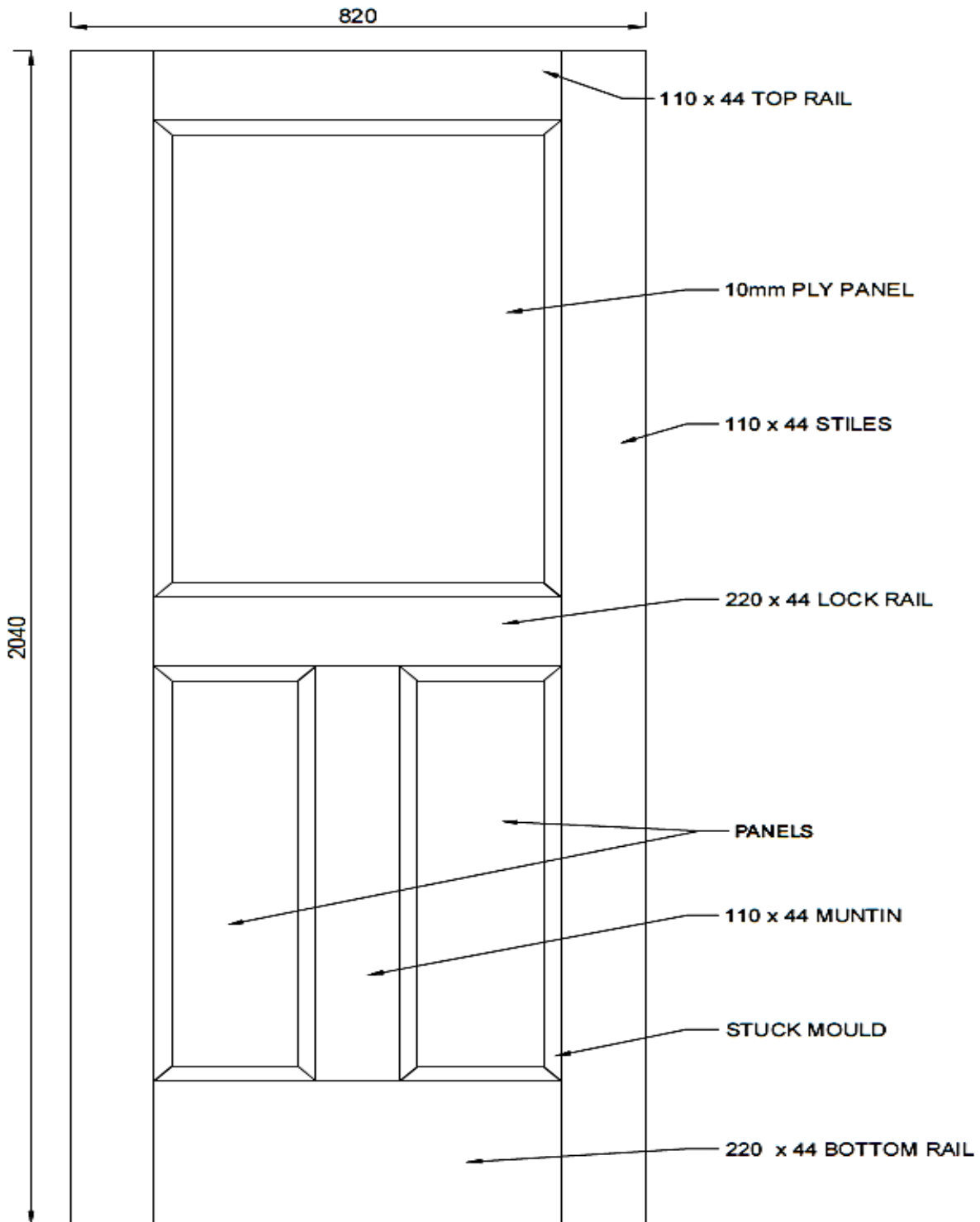
VERTICAL SECTION THROUGH WINDOW OPENING
SCALE 1:5

[20]

RUBRIC: QUESTION 2					
PART OF DRAWING	MARKING CRITERIA	POSSIBLE MARK	MARKER	INTERNAL MODERATOR	EXTERNAL MODERATOR
Soldier brick, reinforced lintel, wall, plaster	Correct position	4			
	Correct size	4			
	Hatching	4			
	Labels	4			
Frame head, top rail, putty, glass	Correct position	4			
	Correct size	3			
	Hatching	2 frame head & top rails			
	Labels	4			
Subtotal		29			
Divide by		2,63			
Overall correctness		11			
Line work		3			
Accuracy		2			
Balanced layout and neatness		2			
Title & scale		2			
Total		20			

NOTE: Do not allocate any marks for any part drawn in an incorrect position, except marks for hatching of that component where applicable.

QUESTION 3



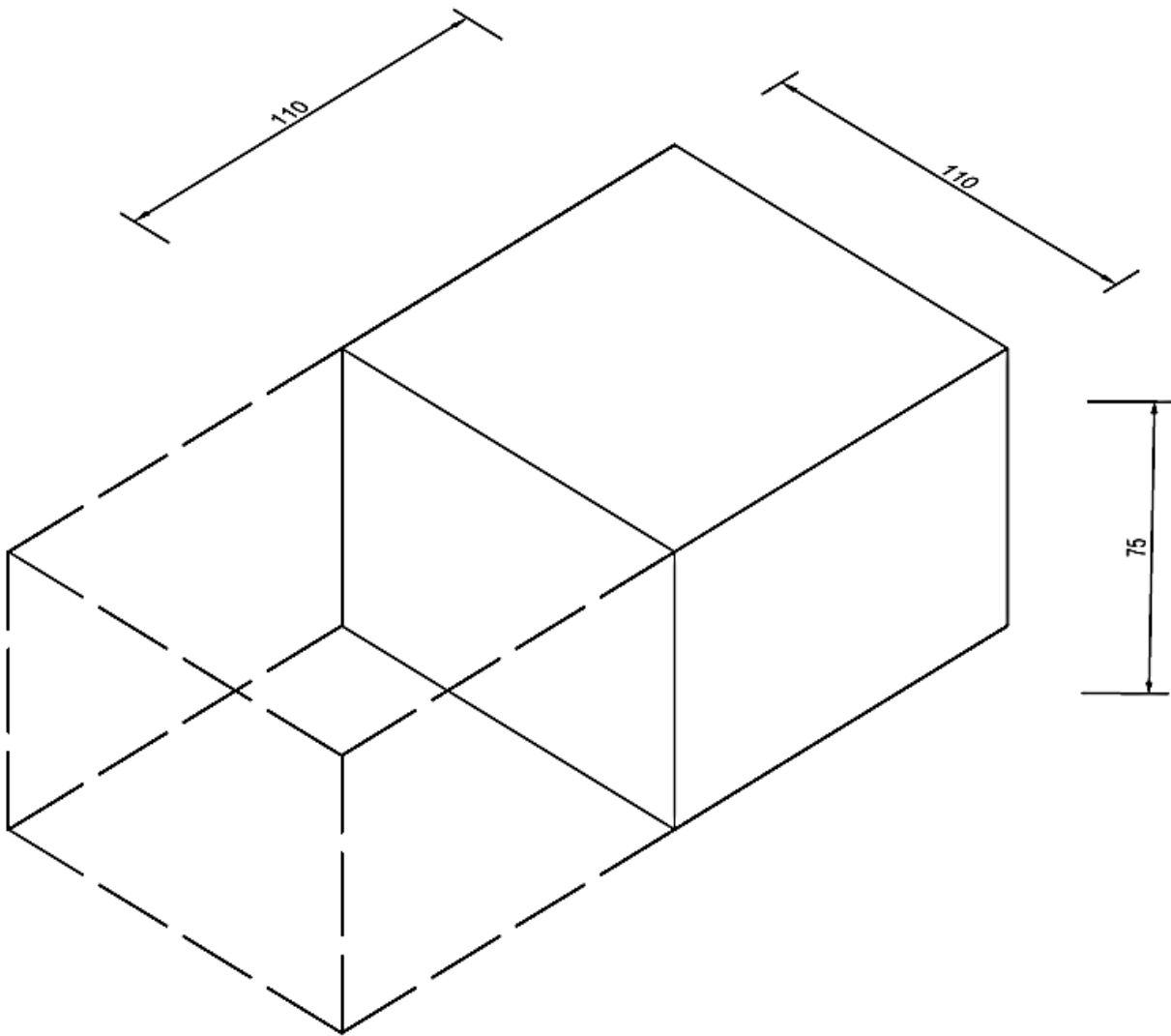
THE FRONT ELEVATION OF A THREE-PANEL DOOR
SCALE 1:10

[20]

RUBRIC: QUESTION 3					
PART OF DRAWING	MARKING CRITERIA	POSSIBLE MARK	MARKER	INTERNAL MODERATOR	EXTERNAL MODERATOR
Stiles, top rail, bottom rail, lock rail	Correct position	5			
	Correct size	5			
	Labels	4			
Three panels, muntin, stuck mould	Correct position	6			
	Correct size	4			
	Labels	3			
	Dimensions	2			
Subtotal		29			
Divide by		2,41			
Overall correctness		12			
Line work		2			
Accuracy		2			
Balanced layout and neatness		2			
Title & scale		2			
TOTAL		20			

NOTE: Do not allocate any marks for any part drawn in an incorrect position, except marks for hatching of that component where applicable

QUESTION 4



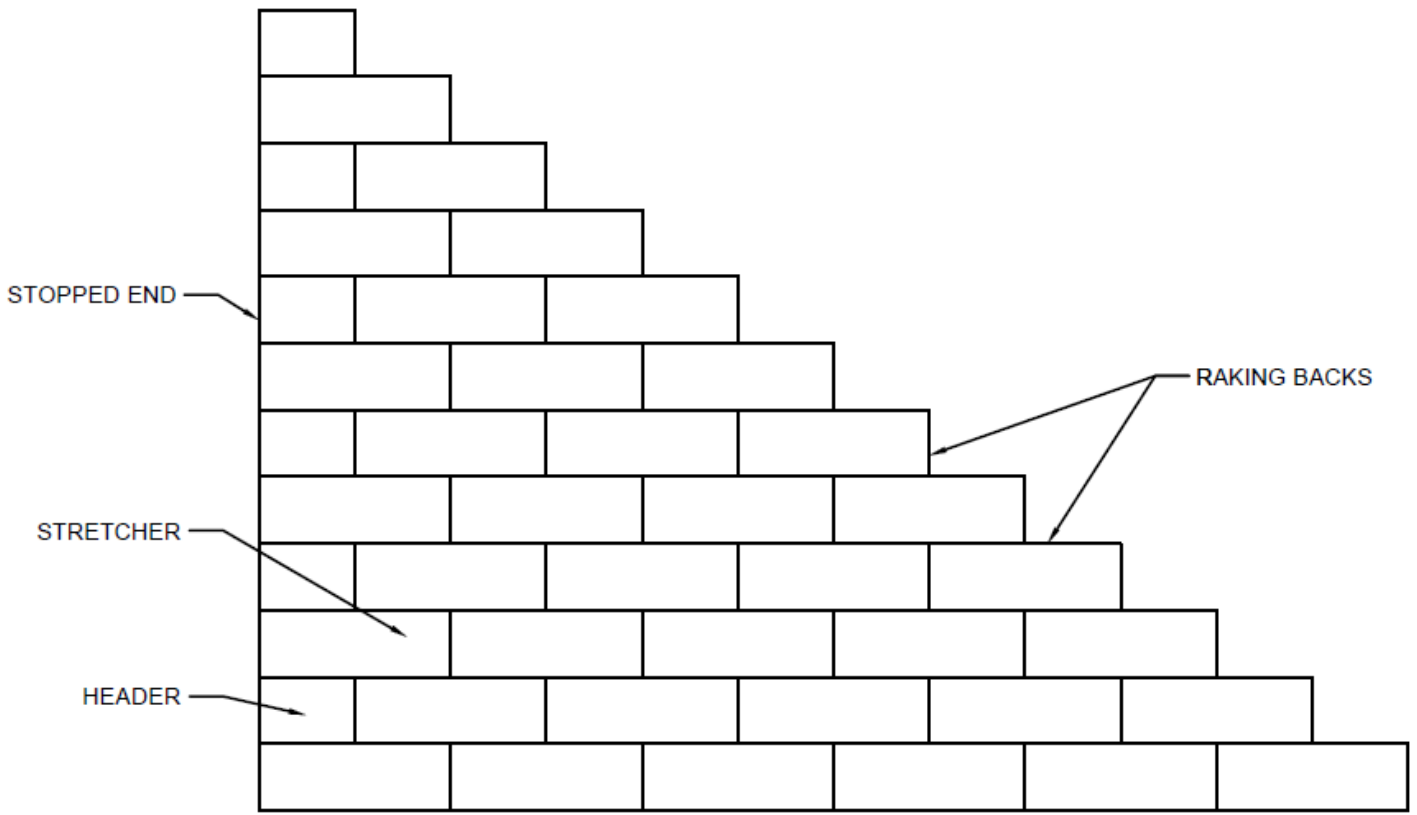
THE ISOMETRIC VIEW OF A HALF-BAT BRICK
SCALE 1:2

[10]

RUBRIC: QUESTION 4				
MARKING CRITERIA	POSSIBLE MARK	MARKER	INTERNAL MODERATOR	EXTERNAL MODERATOR
Axis	1			
Correctness	3			
Correct size	4			
Dimensions	3			
Hidden details	4			
Subtotal	15			
Divide by	2,5			
Overall correctness	6			
Line work	1			
Balanced layout and neatness	1			
Title & scale	2			
TOTAL	10			

NOTE: Do not allocate any marks for any part drawn in an incorrect position, except marks for hatching of that component where applicable

QUESTION 5



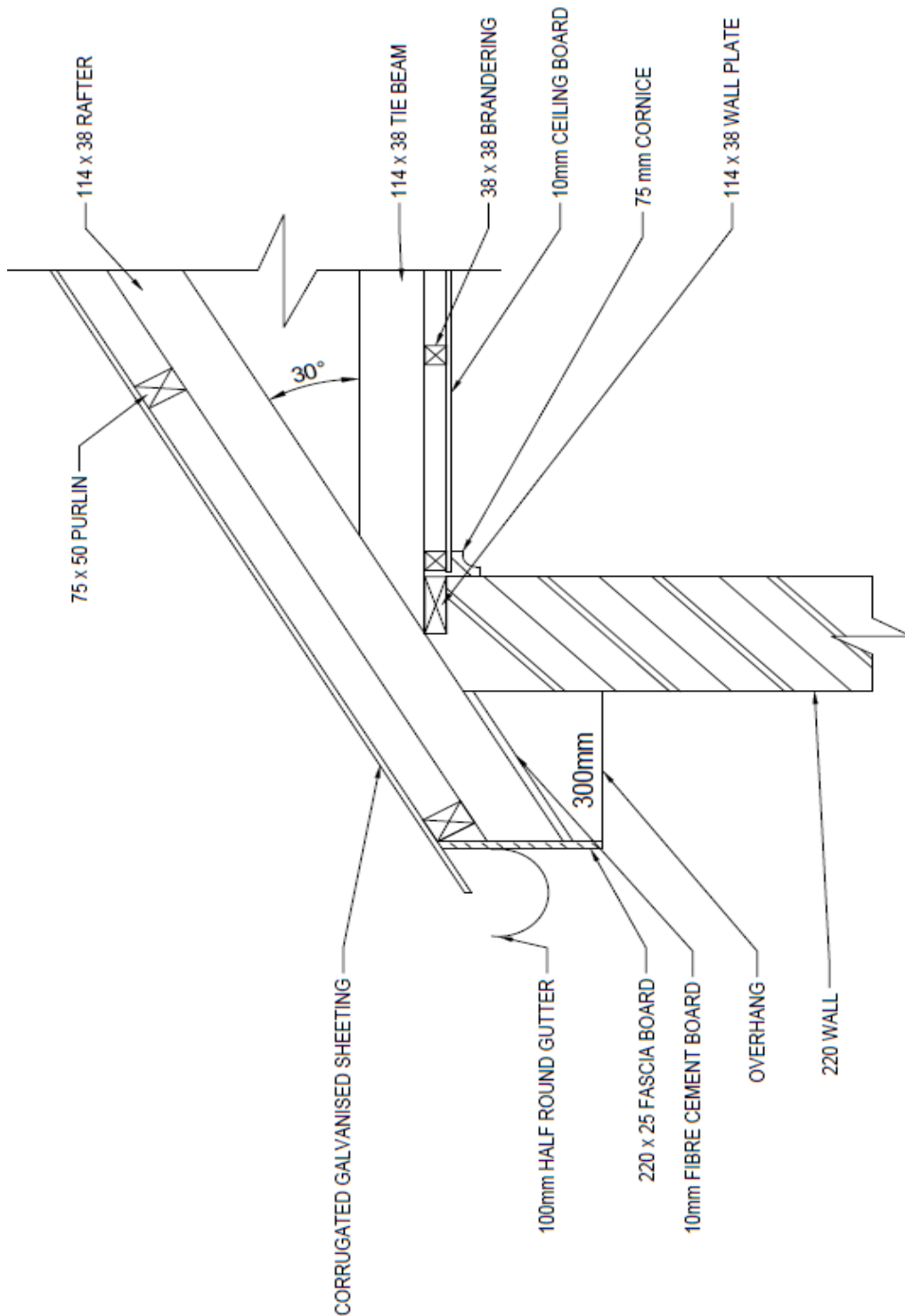
FRONT ELEVATION OF A ONE-BRICK WALL BUILT IN STRETCHER BOND
SCALE 1:10

[14]

RUBRIC: QUESTION 5					
PART OF DRAWING	MARKING CRITERIA	POSSIBLE MARK	MARKER	INTERNAL MODERATOR	EXTERNAL MODERATOR
Front elevation	Correct	2 height & length			
	Bond	2			
	Raking backs	11			
	Stopped end	1			
	Labelling	4			
Subtotal		20			
Divide by		2,22			
Overall correctness		9			
Line work		2			
Balanced layout and neatness		1			
Title & scale		2			
TOTAL		14			

NOTE: Do not allocate any marks for any part drawn in an incorrect position, except marks for hatching of that component where applicable

QUESTION 6



THE VERTICAL SECTION THROUGH ROOF AND EAVES

SCALE 1:10

[20]

RUBRIC: QUESTION 6					
PART OF DRAWING	MARKING CRITERIA	POSSIBLE MARK	MARKER	INTERNAL MODERATOR	EXTERNAL MODERATOR
Wall plate, cornice, ceiling, bandering	Correct position	4			
	Correct size	4			
	Hatching	3			
	Spacing	2			
	Labelling	4			
Rafter, tie beam, fibre board, wall	Correct position	4			
	Correct size	4			
	Hatching	1			
	Labelling	4			
Fascia board, purlin, roof covering, gutter	Correct position	4			
	Correct size	4			
	Hatching	2			
	Spacing	1			
	Labelling	4			
	Dimensions	2			
Subtotal		47			
Divide by		4,27			
Overall correctness		11			
Line work		3			
Accuracy		2			
Balanced layout and neatness		2			
Title & scale		2			
Total		20			

NOTE: Do not allocate any marks for any part drawn in an incorrect position, except marks for hatching of that component where applicable

TOTAL: 100