



**higher education
& training**

Department:
Higher Education and Training
REPUBLIC OF SOUTH AFRICA

MARKING GUIDELINE

NATIONAL CERTIFICATE

BUILDING DRAWING N1

1 AUGUST 2019

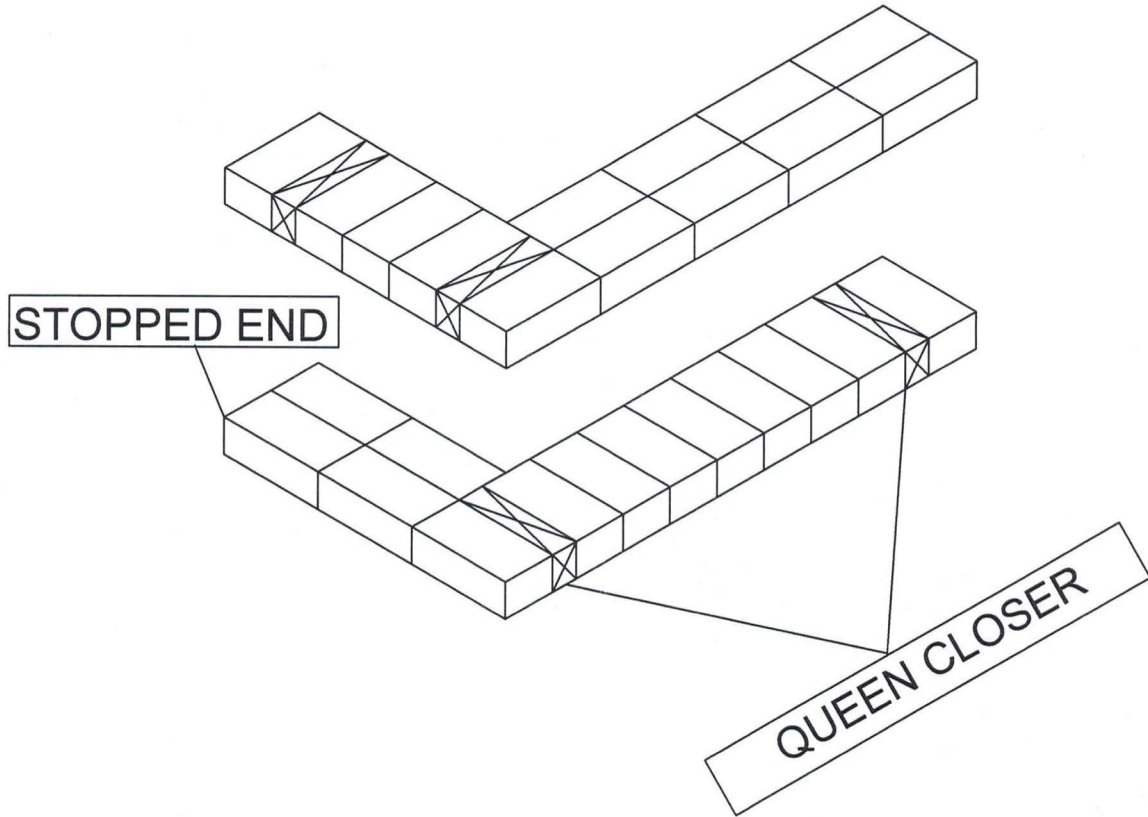
This marking guideline consists of 7 pages.

QUESTION 1

- 1.1 H
- 1.2 F
- 1.3 A
- 1.4 G
- 1.5 J
- 1.6 C
- 1.7 E
- 1.8 D
- 1.9 B
- 1.10 I

(10 × 1) **[10]**

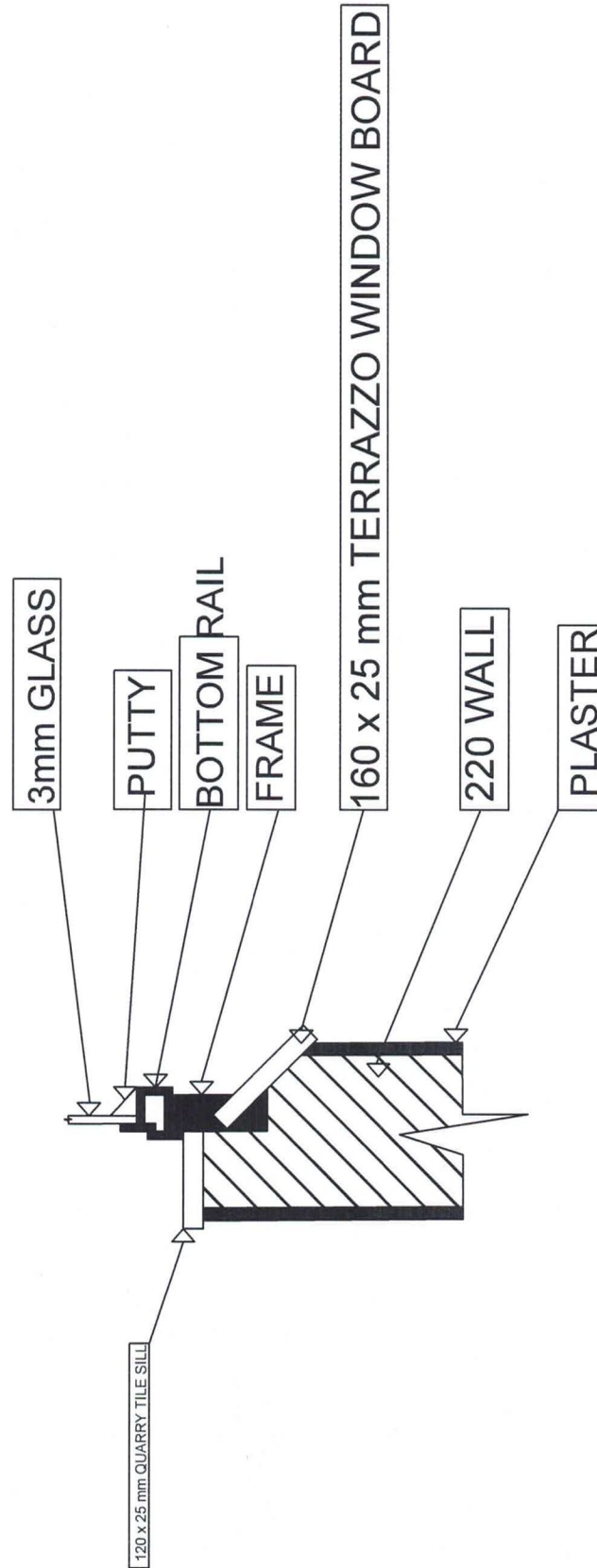
QUESTION 2



**ISOMETRIC VIEW OF A ONE-BRICK CORNER BUILT IN ENGLISH BOND
SCALE 1:10**

[20]

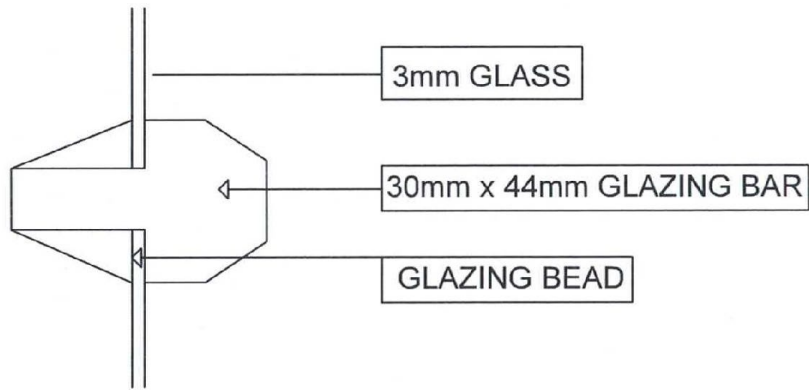
QUESTION 3



VERTICAL SECTION THROUGH BOTTOM SECTION OF STEEL-CASEMENT WINDOW
SCALE 1:2

[20]

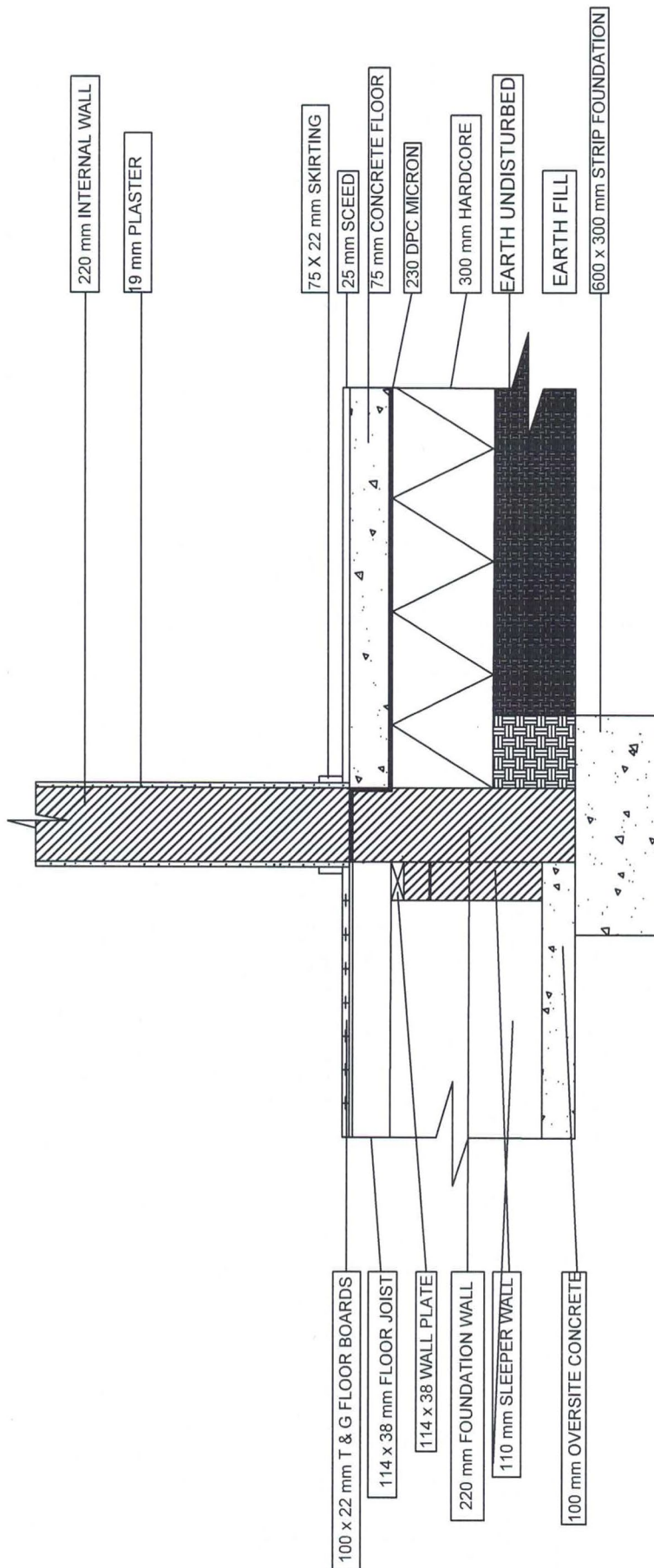
QUESTION 4



**HORIZONTAL SECTION THROUGH GLAZING BEAD AND GLAZING BAR
SCALE 1:2**

[10]

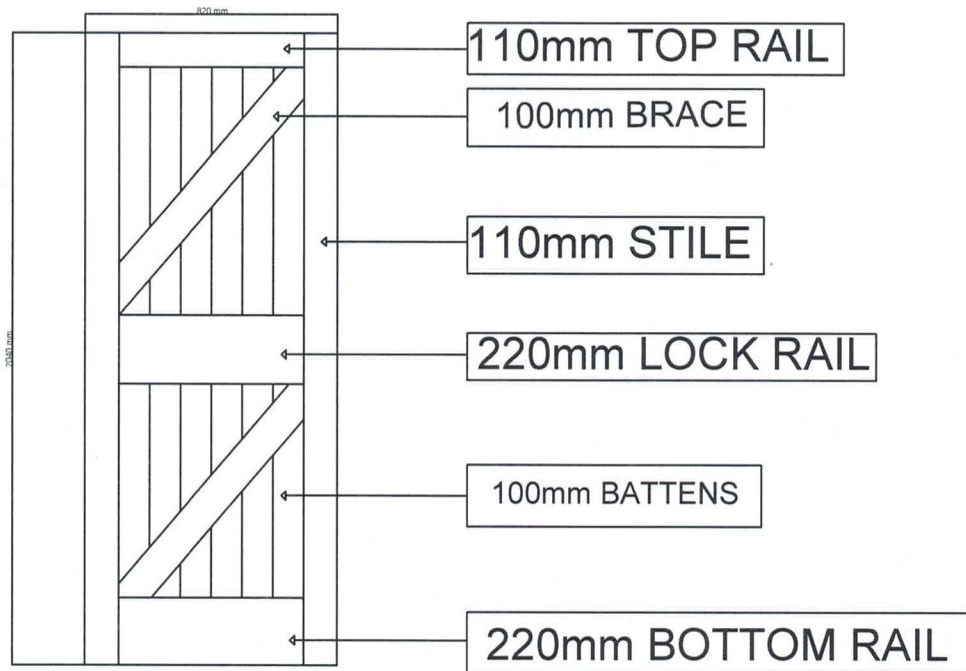
QUESTION 5



VERTICAL SECTION THROUGH FOUNDATION, FOUNDATION WALL, EXTERNAL WALL AND SLEEPER WALL
SCALE 1:10

[20]

QUESTION 6



**FRONT ELEVATION OF LEDGED, BRACED AND BATTENED DOOR
SCALE 1:10**

[20]

TOTAL: 100