



**higher education
& training**

Department:
Higher Education and Training
REPUBLIC OF SOUTH AFRICA

MARKING GUIDELINE

NATIONAL CERTIFICATE

BUILDING DRAWING N1

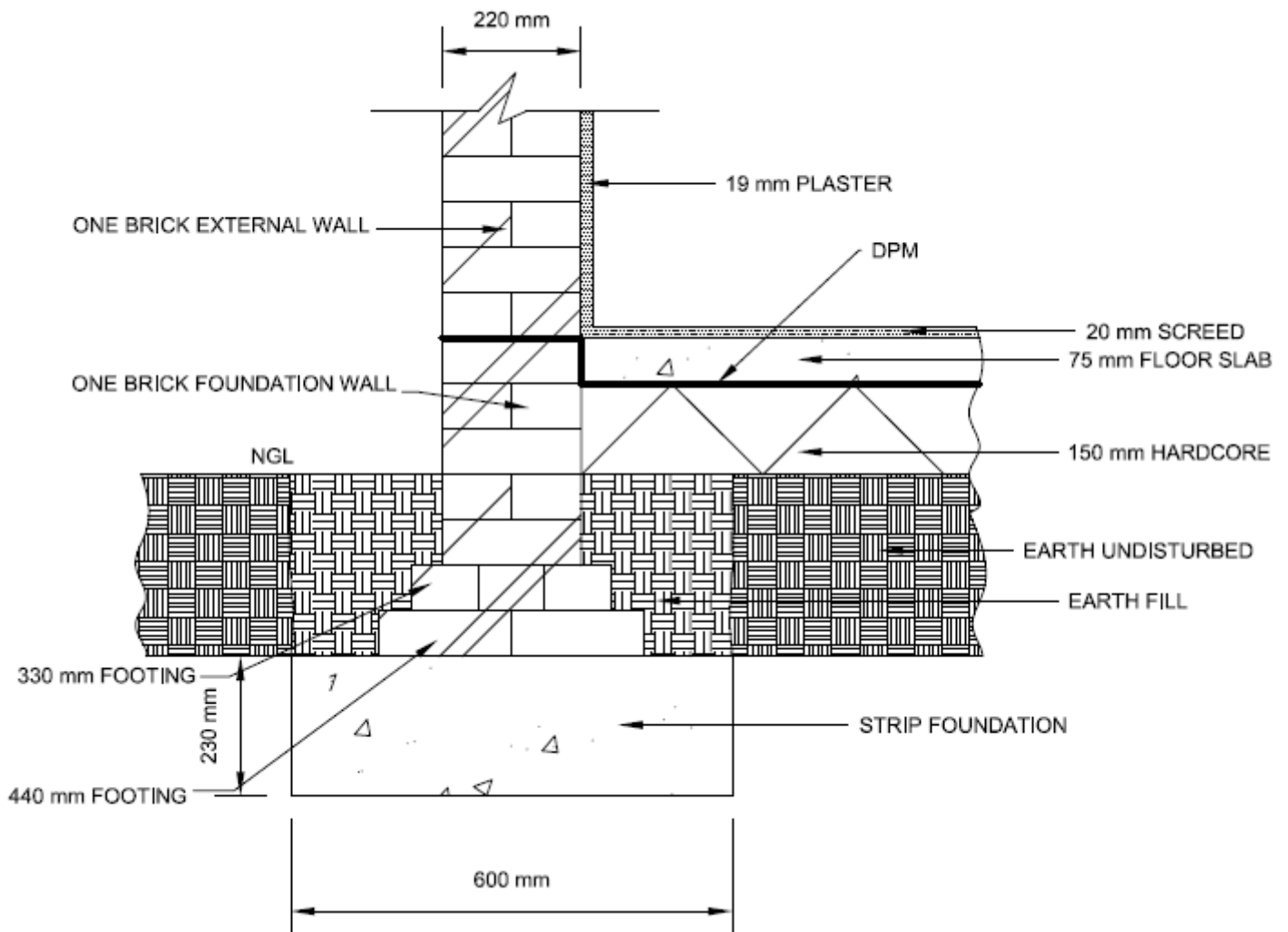
20 JULY 2018

This marking guideline consists of 11 pages.

QUESTION 1

- 1.1 A
- 1.2 B
- 1.3 C
- 1.4 B
- 1.5 B
- 1.6 B
- 1.7 B
- 1.8 A
- 1.9 A
- 1.10 B

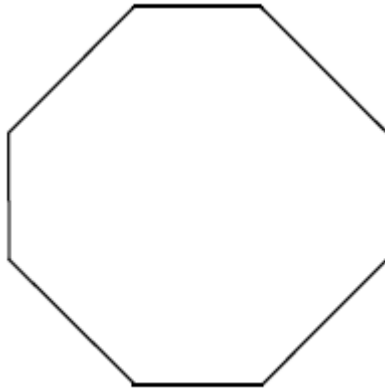
(10 × 1) **[10]**

QUESTION 2

**A VERTICAL SECTION THROUGH THE EXTERNAL WALL OF A HOUSE
SCALE 1:10**

| PART OF DRAWING | MARKING CRITERIA | POSSIBLE MARK | MARKER | INTERNAL MODERATOR |
|---|---------------------------------|--|--------|--------------------|
| Strip foundation, 440 footing and 330 footing | Correct position | 3 | | |
| | Correct size | 3 | | |
| | Hatching | 3 | | |
| | Labelling | 3 | | |
| | Neatness | 3 | | |
| Wall, foundation wall and hardcore | Correct position | 3 | | |
| | Correct size | 3 | | |
| | Hatching | 3 | | |
| | Labelling | 3 | | |
| | Neatness | 3 | | |
| Plaster, screed and floor slab | Correct position | 3 | | |
| | Correct size | 3 | | |
| | Hatching | 3 | | |
| | Labelling | 3 | | |
| | Neatness | 3 | | |
| Ground level | Correct position | 2 | | |
| | Correct size | 2 | | |
| | Hatching | 4 (Earth fill x 2 Earth undisturbed x2) | | |
| | Labelling | 3(Earth fill, earth undisturbed and GL) | | |
| | Neatness | 4(Earth fill x 2 Earth undisturbed x2) | | |
| DPM | Correct position | 3 | | |
| | Labelling | 1 | | |
| | TOTAL | 64 | | |
| | Divide total by 4,57 | 14 | | |
| | Accuracy and setting out | 4 | | |
| | Title | 1 | | |
| | Scale | 1 | | |
| | GRAND TOTAL | 20 | | |

[20]

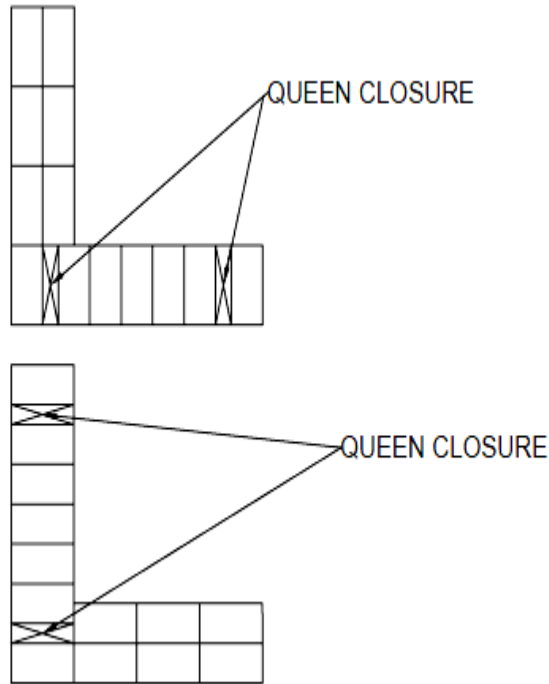
QUESTION 3

**AN OCTAGON POLYGON WITH EIGHT EQUAL SIDES
SCALE 1:1**

| RUBRICS FOR QUESTION 3: OCTAGON | | | | |
|--|------------------------------|----------------------|---------------|---------------------------|
| PART OF DRAWING | MARKING CRITERIA | POSSIBLE MARK | MARKER | INTERNAL MODERATOR |
| Octagon | Correctness | 4 | | |
| | 8 sides | 8 | | |
| | Correct size | 8 | | |
| | Neatness | 2 | | |
| | Total | 22 | | |
| | Divide total by 3.66 | 6 | | |
| | Balanced layout and accuracy | 2 | | |
| | Title | 1 | | |
| | Scale | 1 | | |
| | Grand total | | 10 | |

[10]

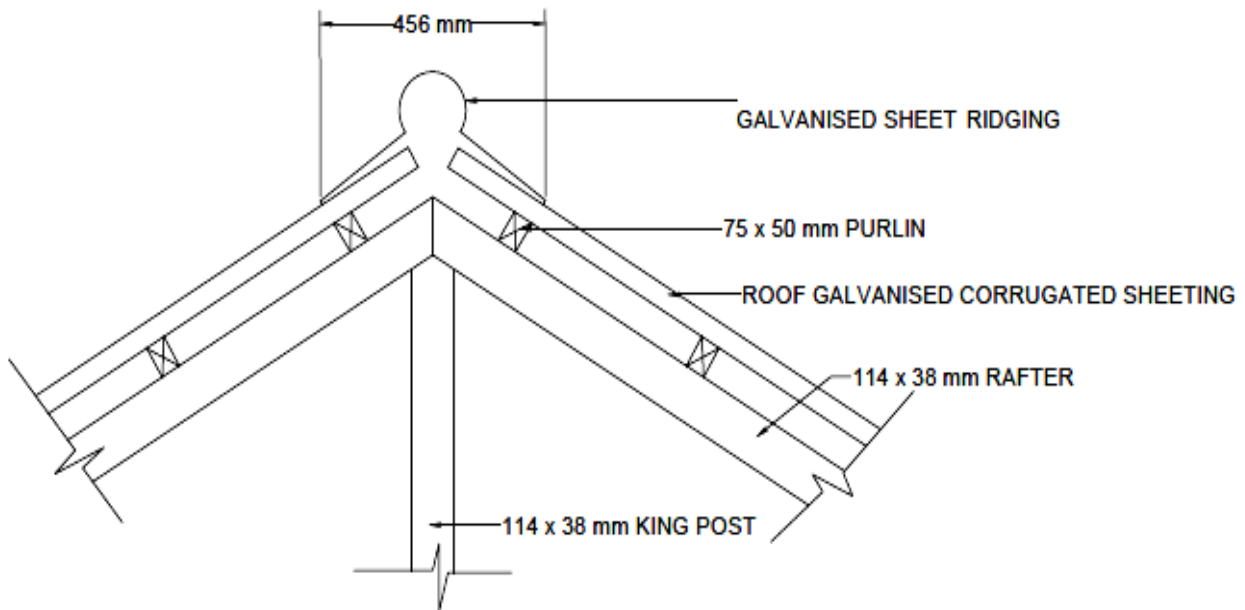
QUESTION 4



**TWO ALTERNATE PLAN COURSES OF A ONE-BRICK CORNER BUILT IN ENGLISH BOND
SCALE 1:10**

| RUBRICS FOR QUESTION 4: ENGLISH BOND CORNER | | | | |
|--|------------------------------|----------------------|---------------|---------------------------|
| PART OF DRAWING | MARKING CRITERIA | POSSIBLE MARK | MARKER | INTERNAL MODERATOR |
| Course 1 | Drawing correct size | 6 | | |
| | Brick pattern correct | 6 | | |
| | Corner correct | 2 | | |
| | Stop ends correct | 4 | | |
| | Brick sizes correct | 6 | | |
| | Labels | 2 | | |
| Course 2 | Drawing correct size | 6 | | |
| | Brick pattern correct | 6 | | |
| | Corner correct | 2 | | |
| | Stop ends correct | 4 | | |
| | Brick sizes correct | 6 | | |
| | Labels | 2 | | |
| | Views below each other | 2 | | |
| | Subtotal | 54 | | |
| | Divide total by 3.37 | 16 | | |
| | Balanced layout and neatness | 2 | | |
| | Title | 1 | | |
| | Scale | 1 | | |
| | Grand total | 20 | | |

[20]

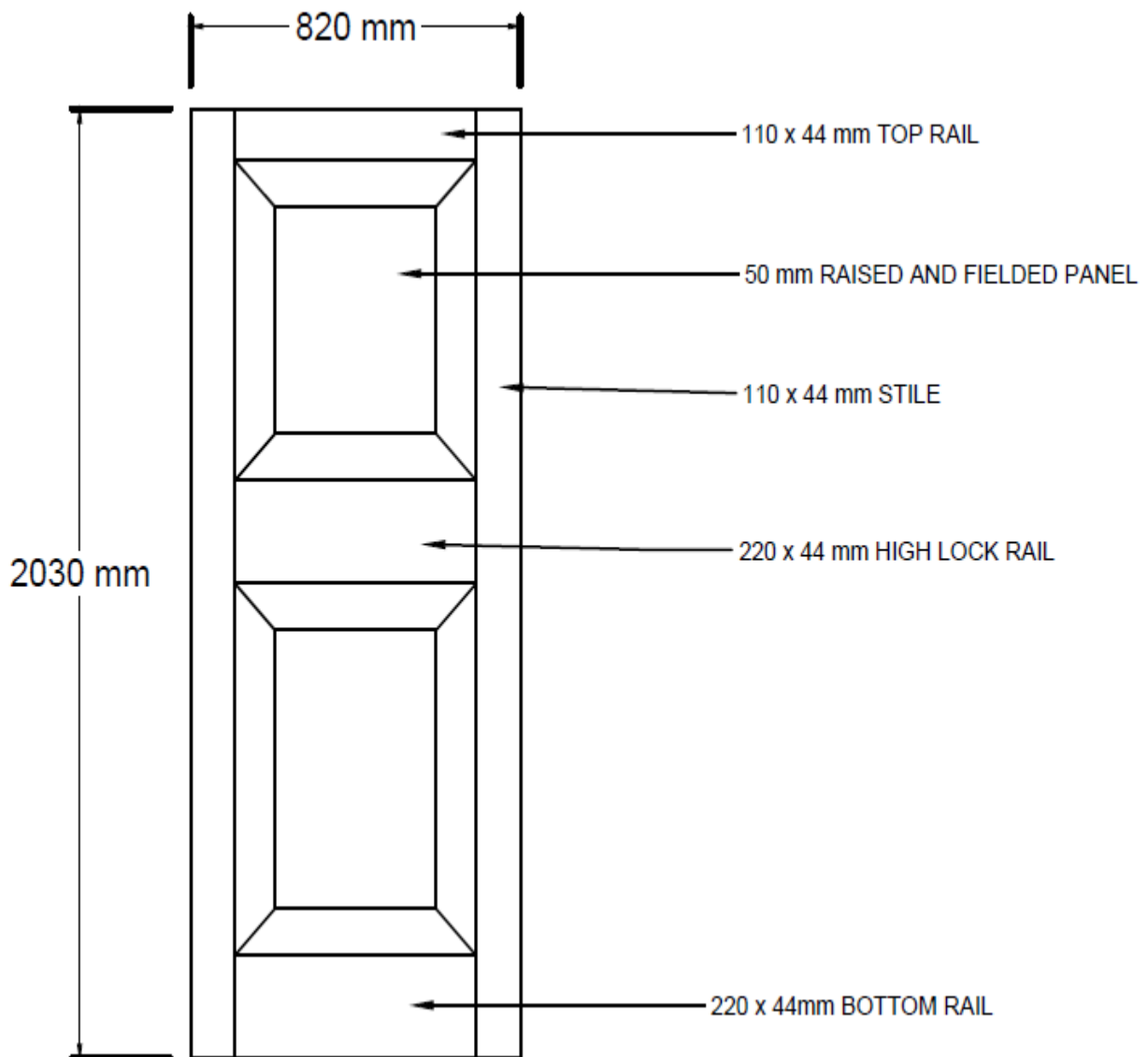
QUESTION 5

**A VERTICAL SECTION THROUGH A RIDGE OF A ROOF
SCALE 1:10**

| RUBRICS FOR QUESTION 5:VERTICAL SECTION THROUGH A RIDGE | | | | |
|--|------------------------------|----------------------|---------------|---------------------------|
| PART OF DRAWING | MARKING CRITERIA | POSSIBLE MARK | MARKER | INTERNAL MODERATOR |
| Rafters, king post | Correct position | 3(rafters x 2) | | |
| | Size correct | 3(rafters x 2) | | |
| | Labelling | 2 | | |
| | Neatness | 3(rafters x 2) | | |
| Ridge, roof cover | Correct position | 3(roof cover x 2) | | |
| | Size correct | 3(roof cover x 2) | | |
| | Labelling | 2 | | |
| | Neatness | 3(roof cover x 2) | | |
| Purlins | Correct position | 4 | | |
| | Size correct | 4 | | |
| | Hatching | 4 | | |
| | Spacing | 4 | | |
| | Labelling | 1 | | |
| | Neatness | 4 | | |
| Roof pitch and 456 mm method | Correctness | 3(pitch x 2) | | |
| | Total | 46 | | |
| | Divide total by 3.53 | 13 | | |
| | Balanced layout and accuracy | 5 | | |
| | Title | 1 | | |
| | Scale | 1 | | |
| | Grand total | 20 | | |

[20]

QUESTION 6



**THE OUTSIDE VIEW OF THE EXTERNAL DOOR
SCALE 1:10**

| RUBRICS FOR QUESTION 6: EXTERNAL DOOR | | | | |
|--|------------------------------|----------------------|---------------|---------------------------|
| PART OF DRAWING | MARKING CRITERIA | POSSIBLE MARK | MARKER | INTERNAL MODERATOR |
| Top rail and bottom rail | Correct position | 2 | | |
| | Size correct | 2 | | |
| | Labelling | 2 | | |
| | Neatness | 2 | | |
| Stiles and high lock rail | Correct position | 2 | | |
| | Size correct | 2 | | |
| | Labelling | 2 | | |
| | Neatness | 2 | | |
| Raised and fielded panels | Correct position | 2 | | |
| | Size correct | 2 | | |
| | Labelling | 1 | | |
| | Neatness | 2 | | |
| Dimensions | Correctness | 2 | | |
| | Total | 17 | | |
| | Divide total by 1.31 | 13 | | |
| | Balanced layout and accuracy | 5 | | |
| | Title | 1 | | |
| | Scale | 1 | | |
| | Grand total | 20 | | |

[20]**TOTAL: 100**