

higher education & training

Department:
Higher Education and Training
REPUBLIC OF SOUTH AFRICA

**T150(E)(A3)T
APRIL EXAMINATION**

NATIONAL CERTIFICATE

BUILDING DRAWING N1

(8090001)

**3 April 2014 (Y-Paper)
13:00–17:00**

This question paper consists of 4 pages and 1 diagram sheet.

DEPARTMENT OF HIGHER EDUCATION AND TRAINING
REPUBLIC OF SOUTH AFRICA
NATIONAL CERTIFICATE
BUILDING DRAWING N1
TIME: 4 HOURS
MARKS: 100

INSTRUCTIONS AND INFORMATION

1. Answer ALL the questions.
 2. Read ALL the questions carefully.
 3. Number the answers according to the numbering system used in this question paper.
 4. Marks will be allocated for neat work that is organised and well set out.
 5. Marks will also be allocated for line quality and labelling of drawings.
 6. Write neatly and legibly.
-

QUESTION 1

Draw FOUR rectangles, 750 mm x 500 mm, evenly spaced showing the following hatching symbols in the rectangles:

- Concrete (4)
- Compacted hard core (4)
- Unplaned timber (4)
- Stonework (4)

SCALE 1 : 10

NOTE: Arrange the rectangles neatly and allow a space of 25 mm between them. [16]

QUESTION 2

Draw an isometric view of a three-quarter bat.

Note : Your preferred view may be illustrated.
Do not show any hidden details.

SCALE 1 : 2 [12]

QUESTION 3

Draw the orthographic views of FIGURE 1 (attached DIAGRAM SHEET).

SCALE 1 : 1 [16]

QUESTION 4

Draw the front elevation of a one-brick wall in English bond six courses high. The bottom course must be seven bricks long. Show a stopped end on the left and a raking back on the right side.

SCALE 1 : 10 [8]

QUESTION 5

Draw a horizontal cross section of a wooden window frame built into a one-brick external wall. The wall is plastered internally. The window has no casements. The overall size of the frame is 650 mm x 850 mm high.

The individual members have the following characteristics:

Top rail	80 mm x 40 mm
Bottom rail	80 mm x 40 mm
Side rail	80 mm x 40 mm
Beading	20 mm x 20 mm
Rebates	20 mm x 40 mm
Glass	3 mm

SCALE 1 : 5

NOTE: Show the DPC

[16]

QUESTION 6

Draw an elliptical gauged arch. The span is 1 200 mm and the rise is 400 mm.

SCALE 1 : 10

NOTE: Show the key brick.
Do not show any adjacent brickwork.

[16]

QUESTION 7

Draw a vertical cross section through an internal half-brick wall of a dwelling. Show the following details on your drawing:

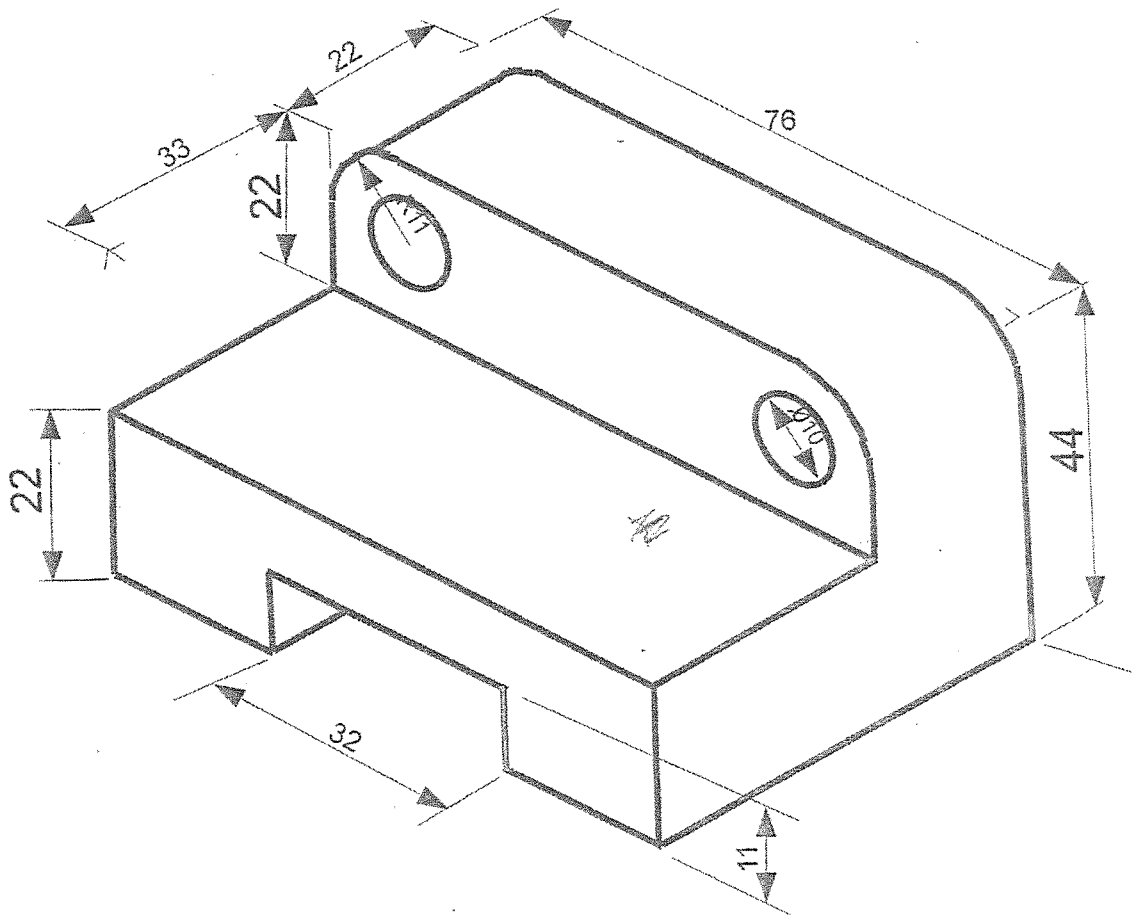
- Substructure
- 200 mm x 400 mm strip foundation
- 75 mm concrete floor
- 150 mm hard core
- DPC
- Half-brick internal wall 110 mm

Scale 1 : 10

[16]

TOTAL: 100

DIAGRAM SHEET



EMC

FIGURE 1



higher education & training

Department:
Higher Education and Training
REPUBLIC OF SOUTH AFRICA

MARKING GUIDELINE

NATIONAL CERTIFICATE

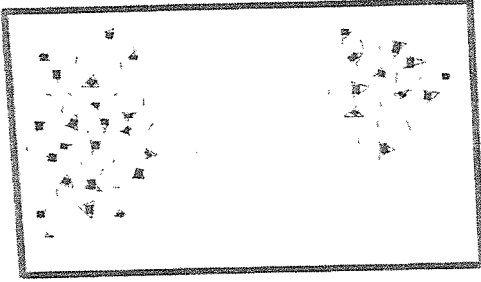
APRIL EXAMINATION

BUILDING DRAWING N1

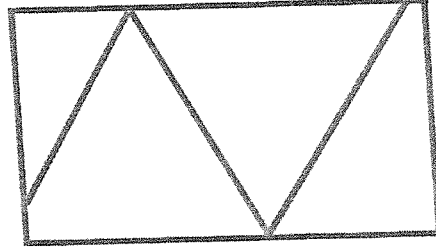
3 APRIL 2014

This marking guideline consists of 9 pages.

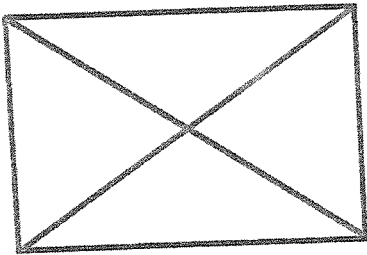
QUESTION 1



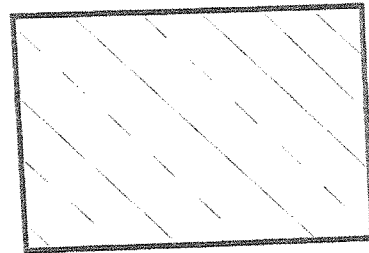
CONCRETE



COMPACTED HARDCORE



UNPLANNED TIMBER

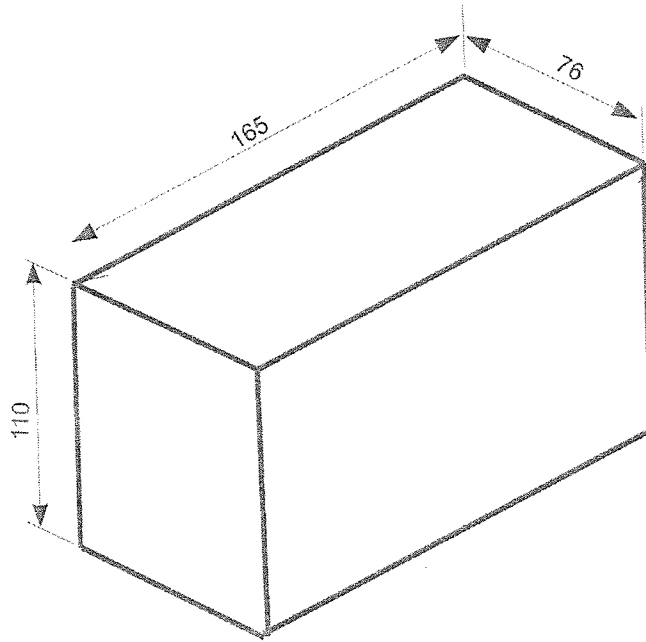


STONWORK

**FOUR HATCHING SYMBOLS
SCALE 1 : 10**

[16]

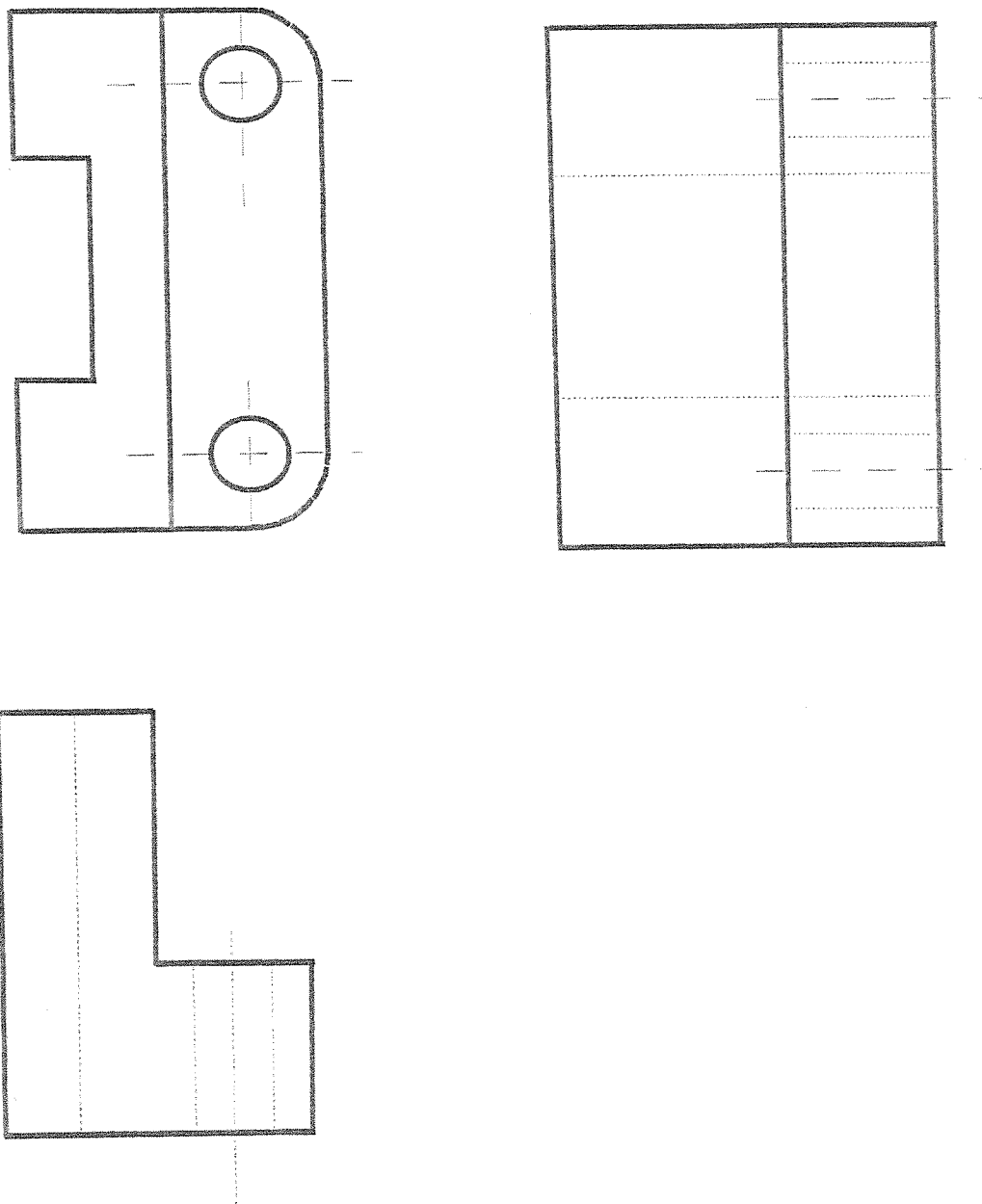
QUESTION 2



**ISOMETRIC VIEW -3/4 BAT
SCALE 1 : 2**

[12]

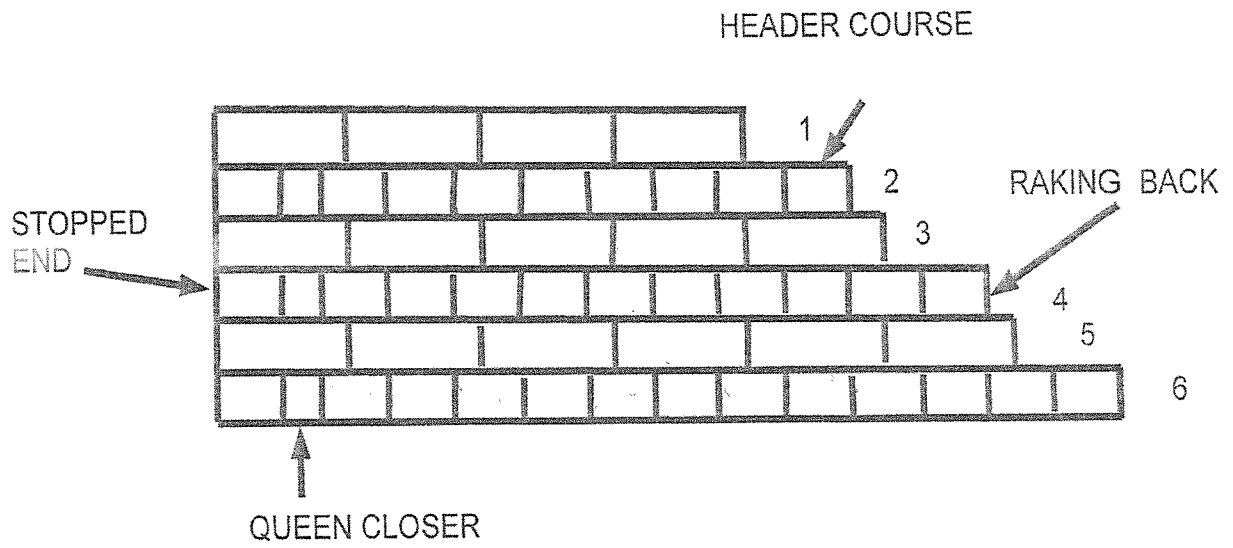
QUESTION 3



SCALE 1 : 1

[16]

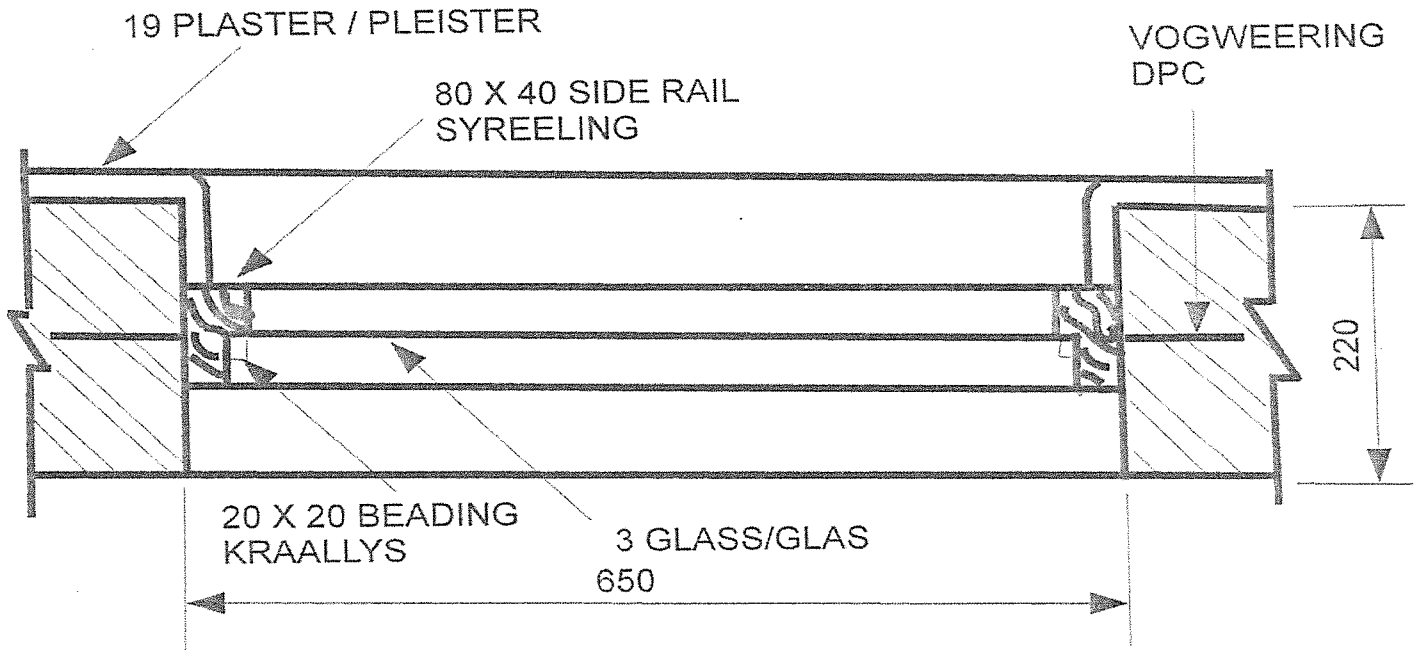
QUESTION 4



**FRONT ELEVATION OF WALL BUILT IN ENGLISH BOND INCLUDING A
STOPPED END AND RAKING BACK
SCALE 1 : 10**

[8]

QUESTION 5

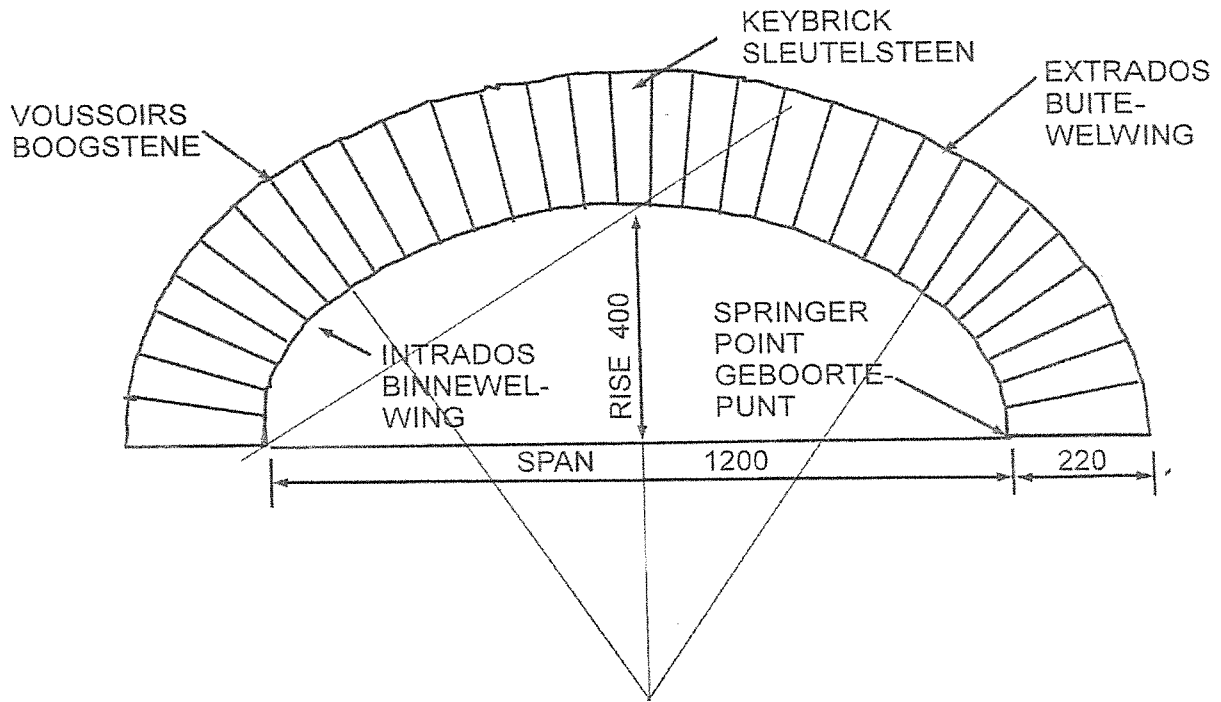


HORIZONTAL CROSS SECTION THROUGH WOODEN WINDOW WITHOUT CASEMENTS

SCALE 1 : 5

[16]

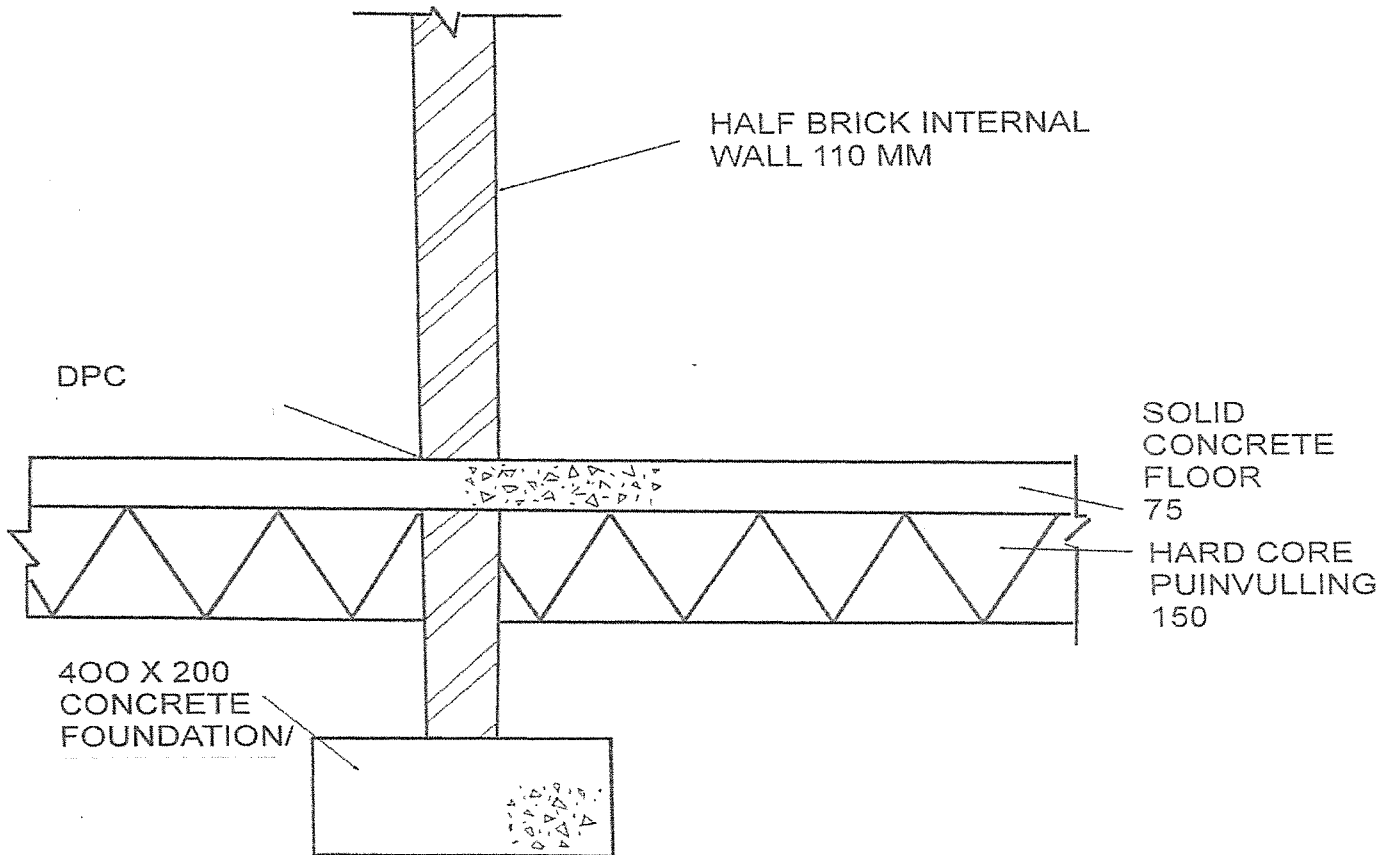
QUESTION 6



**AN ELLIPTICAL GAUGED ARCH
SCALE 1 : 10**

[16]

QUESTION 7



SECTION THROUGH SOLID CONCRETE FLOOR WITH HALF-BRICK INTERNAL WALL
SCALE 1 : 10

[16]

PLEASE NOTE THAT IF THE CORRECTNESS IS "0" THEN NO OTHER MARKS MAY BE ADDED

LET WEL DAT AS DIE KORREKTHEID "0" IS MAG GEEN ANDER PUNTE BYGETEL WORD NIE

100

Question/Vraag	1	141	16	Question/Vraag	6	141	16
correctness/korrektheid	12			correctness/korrektheid	10		
accuracy/akkuraatheid	1			accuracy/akkuraatheid	2		
neatness/netheid	0.5			neatness/netheid	1		
titles;labels/hoofopskrifte;byskrifte	0.5			titles;labels/hoofopskrifte;byskrifte	1		
dims&scale/afmetings&skaal	1			dim&scale/afmetings&skaal	1		
setting out/uiteensit	1			setting out/uiteensit	1		

Question/Vraag	2	141	12	Question/Vraag	7	141	16
correctness/korrektheid	9			correctness/korrektheid	10		
accuracy/akkuraatheid	1			accuracy/akkuraatheid	2		
neatness/netheid	0.5			neatness/netheid	1		
titles;labels/hoofopskrifte;byskrifte	0.5			titles;labels/hoofopskrifte;byskrifte	1		
dims&scale/afmetings&skaal	0.5			dim&scale/afmetings&skaal	1		
setting out/uiteensit	0.5			setting out/uiteensit	1		

Question/Vraag	3	141	16	Question/Vraag	0		
correctness/korrektheid	9			correctness/korrektheid			
accuracy/akkuraatheid	3			accuracy/akkuraatheid			
neatness/netheid	1			neatness/netheid			
titles;labels/hoofopskrifte;byskrifte	1			titles;labels/hoofopskrifte;byskrifte			
dims&scale/afmetings&skaal	1			dim&scale/afmetings&skaal			
setting out/uiteensit	1			setting out/uiteensit			

Question/Vraag	4	141	8	Question/Vraag			
correctness/korrektheid	5			correctness/korrektheid			
accuracy/akkuraatheid	1			accuracy/akkuraatheid			
neatness/netheid	0.5			neatness/netheid			
titles;labels/hoofopskrifte;byskrifte	0.5			titles;labels/hoofopskrifte;byskrifte			
dims&scale/afmetings&skaal	0.5			dim&scale/afmetings&skaal			
setting out/uiteensit	0.5			setting out/uiteensit			

Question/Vraag	5	141	16	Question/Vraag			
correctness/korrektheid	10			correctness/korrektheid			
accuracy/akkuraatheid	2			accuracy/akkuraatheid			
neatness/netheid	1			neatness/netheid			
titles;labels/hoofopskrifte;byskrifte	1			titles;labels/hoofopskrifte;byskrifte			
dims&scale/afmetings&skaal	1			dim&scale/afmetings&skaal			
setting out/uiteensit	1			setting out/uiteensit			

TOTAL: 100